



AUTOMOTIVE ENGINE VALVE, GUIDE, SEAT



JINFORD AUTO PARTS CORP.

PROFESSIONAL ENGINE VALVE

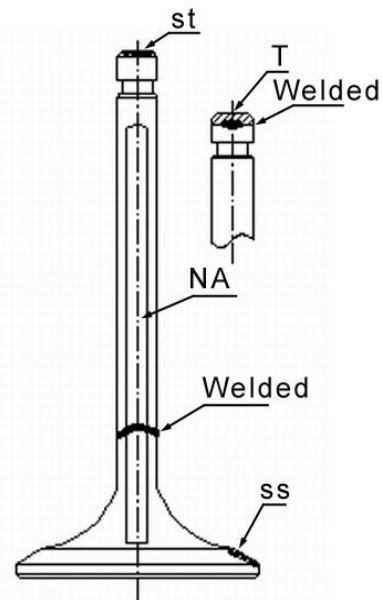
With more than thirty years experience in engine valve/guide/seat manufacturing, apply different kinds of materials/special treatments according to OE specifications. Mainly supply engine valve for passenger cars of , diesel engines trucks, buses & construction vehicles.

Main Materials for Engine Valve

- SCM** Chromium-Manganium-Molybdenum-steel(JIS SCM4) Alloy Steels applied to Inlet Valves
- H11** Silicon-Chromium(Silichrome 1) (JIS SUH 11) apply to Inlet Valve only
- H3** Silicon-Manganium-Molybdenum-steel(JIS SUH3) apply to Inlet Valves
(may apply to Exhaust Valves of light engines)
- H36** High Chromium-Magane Austenitic steel (JIS SUH36)(Anti-Magnetic Steel 21-4N).Apply to Exhaust Valves of heavy duty engines.
- DIN** DIN 1.4718(Inlet),DIN 1.4882(Exhaust)

Special Treatment Symbols

- STL** **ss** Valve seat : Stellite No.6 or No.32(F)
st Tip:Stellite No.1
- T** Wafer welded valves Small wafer (normally in our A-class mate is welded at the valve tip
- Cr** Chromium plated valves stems
- Tuf** Soft nitrided valve Soft nitrided finish,in other words "Tufftride", or so called " Black Finish" in general,The significanc of these improvements resulting from soft nitrideing is of course an extneded valve life.
- NA** Sodium cooled valves demands are increasing for racing car en for several operating purposes and for long run under high speed Sodium affects lowering temperature at valve head.
- Bi-M** These are required for some types of engines,to economically provide a valve with the head resisistance to heat,corrosion and mechanical stresses and the stem with good wear resistance. the bi-metallic Valve has the head made from a high temperature and corrosion resistant steel, and the stem made from a steel (usually martensitic) with good mechanical properties at medium temperatures.This combination is highly recommended for Exhaust Valves.



Chemical Components of Stellite

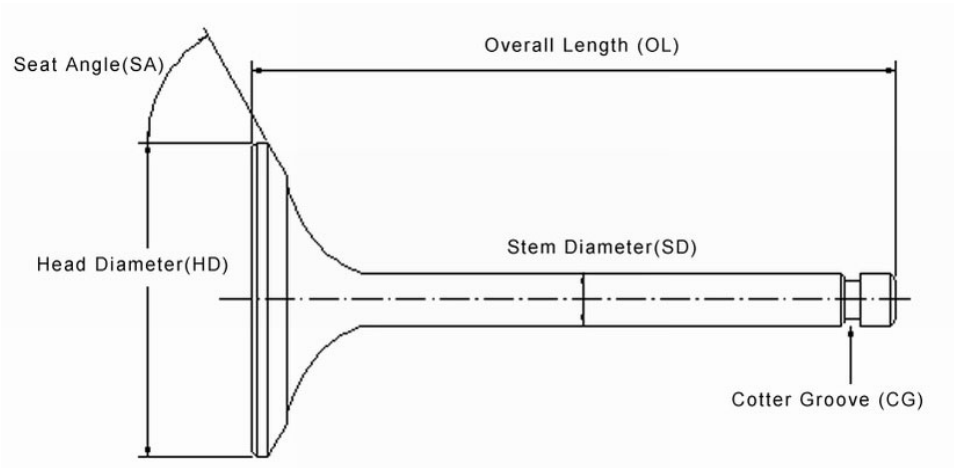
Stellite Code	Ni	C	Co	Cr	W	Fe	Melt.P(C)	HRC	Apply
STELLITE No.1	-	1.0	Balance	28.0	4.0	3.0Max	1.290	44	Seat
STELLITE No.6	-	2.5	Balance	30.0	12.0	3.0Max	1.265	54	Tip

PROFESSIONAL ENGINE VALVE

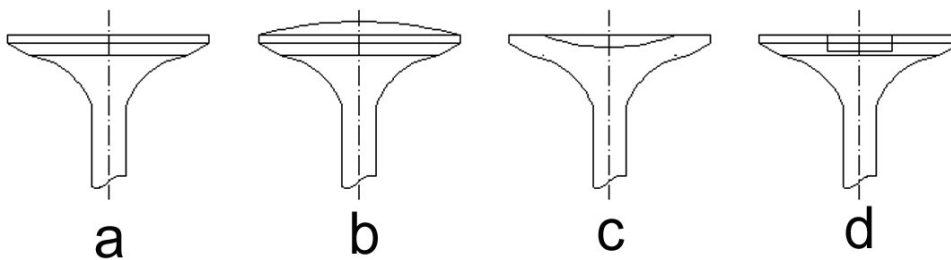
Chemical Analysis of Material

EIC Symbols	JIS	SAE	BS	C	Si	Mn	P	S	Ni	Cr	Mo	N	W	Approximate Equivalents		Apply
														TRW	EATON	
SCM	SCM4	4140	EN49	0.43	0.35	0.85	0.03	0.03	-	1.2	0.3	-	-			IN
	SNM7	8645	AEN100D	0.40	0.40	0.65	0.03	0.035	0.9	0.75	0.2	-	-		I	IN
	SNM8	4030	EN24	0.44	0.35	0.70	0.03	0.035	1.7	1.4	0.35	-	-	N		IN
H3	SUH3			0.45	2.50	0.60	0.03	0.03	0.6	12.0	1.3	-	-			IN & EX
H11	SUH11	HNV3	EN52	0.50	3.00	0.60	0.03	0.035	0.5	8.5	-	-	-			IN
H36	SUH36 (21-N4)	EV8	349S54	0.58	0.35	10.00	0.04	0.045	4.5	22.0	-	0.4	-	S	H	EX
			EN54	0.50	1.75	1.20	0.045	0.045	10.0	14.0	3.0	-	-	T	D	EX
	SUH4	ENV6	EN59	0.85	2.25	0.60	0.03	0.03	1.65	20.5	-	-	-	K	K	EX
DIN	1.4882	EV9		0.45	2.50	0.60	0.03	0.03	14.0	15.0	-	-	3.0			EX(Diesel)
DIN	1.4718			0.40	3.50	0.60	0.03	0.03	0.6	9.5						IN

Nomenclature and symbols

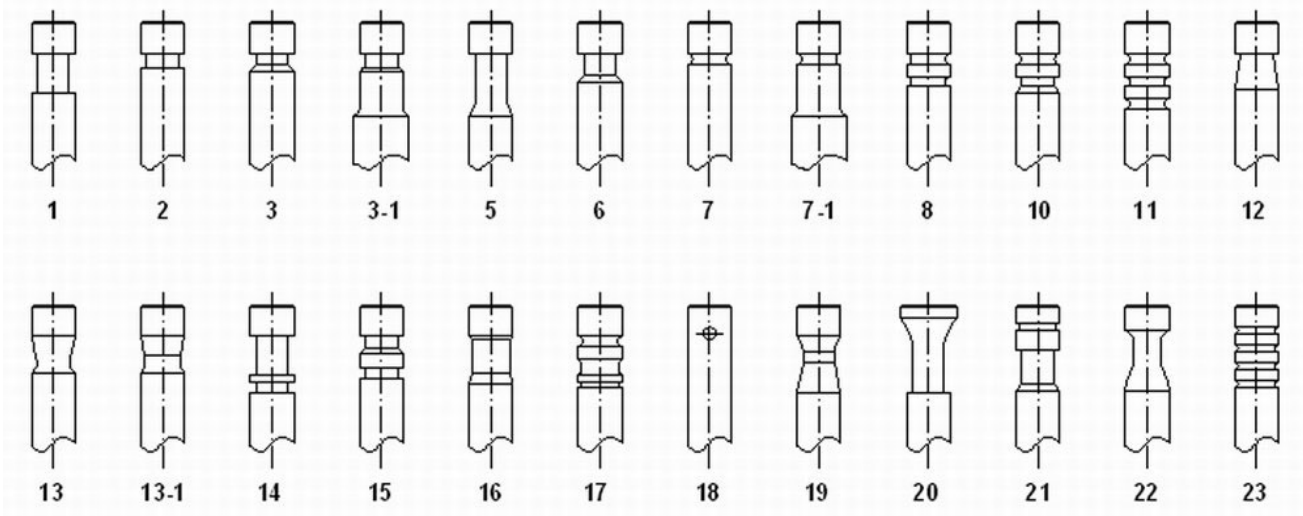


Shape of Head (HS)



PROFESSIONAL ENGINE VALVE

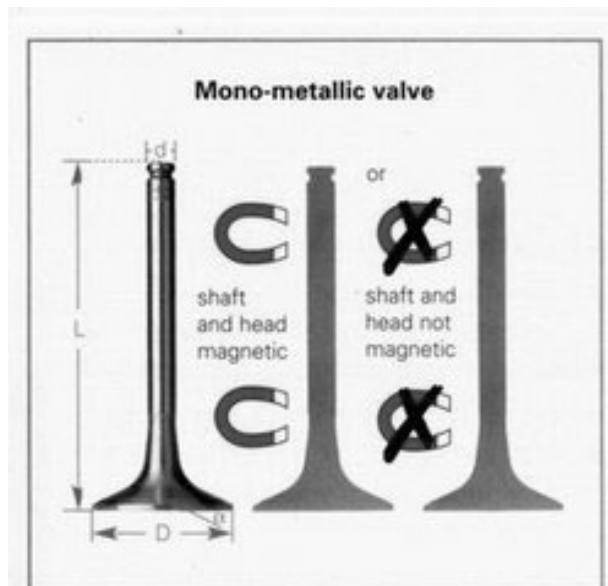
Shape of Cotter Groove (CG)



Design of Engine Valve

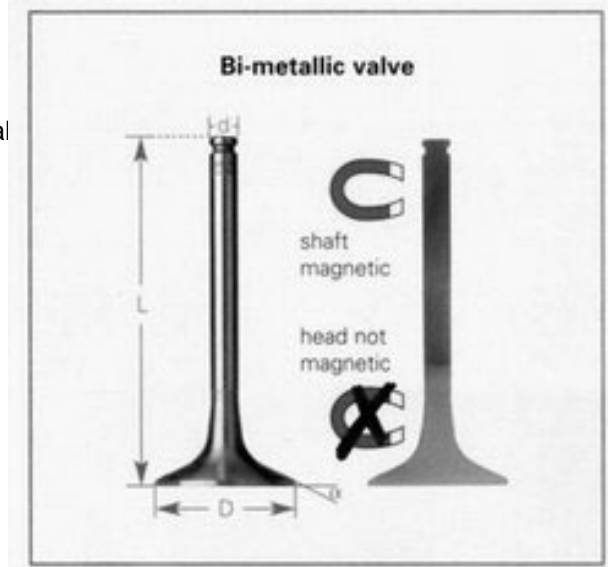
Mono-metallic valves

are produced efficiently in warm-extruded process or in an upsetting process.



Bi-metallic valves

make it possible to use the ideal combination of material both for the shaft and the end.



PROFESSIONAL ENGINE VALVE

Function of Engine Valve

Valves are precision engine parts and they have to perform four important tasks in the operation of the engine:

- Block flow areas
- Controlling gas exchange
- Sealing the cylinder to the outside
- Dissipating the heat absorbed by the exhaust gases

Form combustion to the valve seat ring and to the valve guide.

At temperatures of up to 800°C, each valve opens and closes up to 70 times per second and during the life of the engine it is subjected to an average of 300 million changes of load.

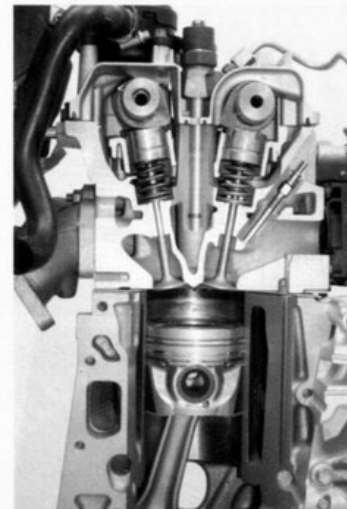
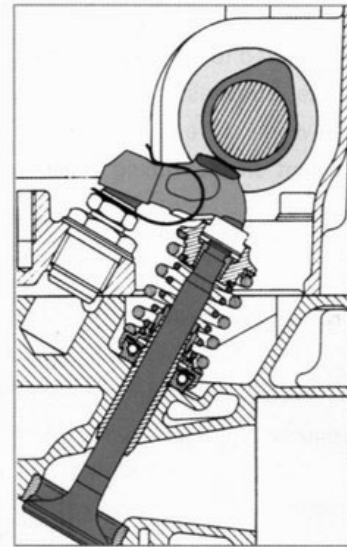
A distinction is generally made between inlet valves and exhaust valves.

Inlet valves

The valve-which are cooled by the circulation of unburnt gases-have to withstand high mechanical loads, especially upon contact with the valve seat.

Exhaust valves.

In addition to the great mechanical demands made on them, exhaust valves are subjected to high thermal stresses and chemical corrosion, Therefore, other materials and more complex production processes are used when they are manufactured.



Fitting Recommendations

Valves are some of the components in the engine that are subjected to the greatest thermal and mechanical stresses. Their working life-and thus the working life of the engine is strongly dependent on their being installed correctly. Check the valves before installation to see if they have been damaged (for example, if they have been knocked etc.) Never install damaged or bent valves. Make sure that the valves are the right size for your engine.

VALVE GUIDE for the valve clearance

Valve stem diameter in mm	Inlet valve	Exhaust valve
6~7	10~40µm	25~55µm
8~9	20~50µm	35~65µm
10~12	40~70µm	55~85µm

Information and installation guidelines from the engine manufacturer must be observed in all cases. Before installing the valve, check the inner core of the valve spring head to see if it is worn or damaged, check also whether the valve spring power is still within the values prescribed by the engine manufacturer. Be sure to use new valve collets and valve shaft seals when installing the valve. The valve shaft must be lubricated sufficiently with clean engine oil before it is inserted.



JINFORD
ENGINE VALVE
ENGINE VALVE

DAIHATSU

ENGINE VALVE



O.E PART NO.	YEAR	ENGINE MODEL	CYL	VEHICLE		IN EX	DIMENSIONS						REMARKS
				NAME	MODEL		HD	OL	SD	SA	HS	CG	
13711-15010 13715-15010	81-	3A, 4A	4	CHARMANT 1500	A55	IN EX	36.0 31.0	107.0 107.0	7.0 7.0	45° 45°	c d	3 3	
13711-87701 13711-87702 13711-87705 13715-87701 13715-87702	79- 77-	AB CB	2 3	CUORE, HI JET, ATRAI	L45, 55, S40, 60, 65, 66,S75,S88,D700	IN EX	36.0 33.0	101.6 101.6	9.0 9.0	45° 45°	c c	7 7	
13711-87704 13715-87703	83-	CL	3	CHARADE 1000D	G30, 101	IN EX	36.0 32.0	105.0 105.0	7.0 7.0	45° 45°	d d	7 7	
13711-87103 13711-87104 13715-87105 13715-87106	88-92	HC HD HE	4	CHARADE/ROCKY		IN EX	30.0 26.0	112.8 114.5	6.6 6.6	45° 45°	c c	7 7	
13711-87304 13711-87305 5113-1641C 13715-87304 13715-87305 5113-1642C	68-	DG	4	DELTA 2500	D200, 300 DV24, 32	IN EX	40.0 33.0	136.2 136.2	9.0 9.0	45° 45°	c c	7 7	
13711-87306 13715-87307 13715-87309	69-	DG	4	DELTA 2600	DY26 SV26	IN EX	40.0 33.0	127.6 127.6	9.0 9.0	45° 45°	c c	3 3	
13711-87308 13715-87311	67- 73-	DG DL	4 4	LIGHT BUS, TAFT DELTA 3000 D2000 DELTA	F50 55 SV18 26 32 37 DV21 24 26 32 F60 V54	IN EX	40.0 33.0	127.6 127.6	9.0 9.0	45° 45°	c c	7 7	
13711-87312 13711-87314 13715-87319 13715-87317 13715-87322	85-	DL	4	DELTA	V5#	IN EX	42.0 35.0	127.6 127.6	9.0 9.0	45° 45°	d d	7 7	
13711-87101 13711-87102 4023-1641 13715-87101 13715-87102 13715-87103 4023-1642	67-77	FE FE1 FE10 FE20	4	CONSORTE, TAFT1000 COMPAGNO, BERLINA1000	EP30 F10, 40	IN EX	32.0 29.0	95.0 95.0	7.0 7.0	45° 45°	c c	7 7	

O.E PART NO.	YEAR	ENGINE MODEL	CYL	VEHICLE		IN EX	DIMENSIONS						REMARKS	
				NAME	MODEL		HD	OL	SD	SA	HS	CG		
13711-24010	71-78	3KH	4	CHARMANT CONSOSRTE	A10, EP30 31 42 47 50	IN	36.0	100.0	8.0	45°	c	10		
13715-24010		3KJ 3KU		DELTA 750	51 KB10, KD10	EX	29.0	100.0	8.0	45°	d	10		
13711-24011	78-	4K	4	CHARMANT 1300	A30, 35	IN	36.0	100.0	8.0	45°	c	3		
13715-24012		4KU		DELTA 1300	KB11 12 26 KD11 20	EX	29.0	100.0	8.0	45°	d	3		
13711-44012	72-	5R	4	DELTA 1500	DV23 SV23 V30 31 32	IN	43.0	109.5	8.0	45°	c	8		
13715-44021				DELTA 2000	33 34	EX	37.0	109.5	8.0	45°	d	8		
13711-31030	72-81	12R	4	MICRO BUS, TAFTGRAN	F20, 25	IN	40.0	109.0	8.0	45°	c	10		
13711-31040				DELTA 1500	SV17									
13715-31030							EX	34.0	109.0	8.0	45°	d	10	
13715-31040														
13711-25010	75-79	T	4	CHARMANT 1400	A20, 25	IN	41.0	109.2	8.0	45°	c	10		
13715-25010		2T		SV17	EX	36.0	109.2	8.0	45°	c	10			
13711-25011	76-81	2~ 12T	4	CHARMANT 1600 DELTA WIDE	A40, 45 TB10, 11	IN	41.0	109.0	8.0	45°	c	3		
13715-25011		3~ 13T		DELTA 1800	TB15	EX	36.0	109.0	8.0	45°	c	3		
13711-71010	73-	1Y	4	DELTA 1800	YB20, 21, 26	IN	40.0	108.3	8.0	45°	c	7		
	83-	2Y		DELTA 2000										
	83-	3Y			EX	36.0	108.5	8.0	45°	c	7			
13715-71010		4Y												
13711-87702	79-	AB	2	WIDE VAN CAB	S60	IN	36.0	101.6	7.0	45°	c	7		
13715-87702		CB		S40 VAN 550 CAB	S75 S88 D700	EX	33.0	101.6	7.0	45°	c	7		
13711-87202		EF	3	PROTON KANSIL	EB10	IN	34.0	111.0	7.0	45°	c	7		
13715-87202		CL		ED	EX	28.0	111.4	7.0	45°	c	7			
13711-87201		EF	3	KANSIL	FB10	IN	30.0	112.3	7.0	45°	c	7		
13715-87201		CL		MALAYSIAN SPEC		EX	26.0	112.7	7.0	45°	c	7		
13711-87706				MIJET		IN	34.0	104.8	7.0	45°	d	7		
13715-87705						EX	30.0	105.2	7.0	45°	d	7		
13711-87707			3	CHARADE	CB	IN	30.0	107.0	6.0	45°	c	7		
13715-87707		CB70				EX	26.0	107.2	6.0	45°	c	7		

HINO

ENGINE VALVE



O.E PART NO.	YEAR	ENGINE MODEL	CYL	VEHICLE		IN EX	DIMENSIONS						REMARKS	
				NAME	MODEL		HD	OL	SD	SA	HS	CG		
2310-1301-01	67-86	DK10	6	TRUCK	KF, TC, ZM, HF,	IN								
13711-1130B	66-80	DK20	6	BUS	BG, RC		57.0	175.0	12.0	45°	c	13		
13711-1130C														
2311 - 1302-01						EX	51.0	175.5	12.0	45°	c	13		
13715-1150C														
2352-1301-00	63-86	DM100	6	TRUCK;RANGER	RM, BM, HM, KM, KQ	IN	43.5	137.6	9.0	45°	d	13		
2352-1301-01														
13711-1170A				BUS;RAINBOW										
2352-1302-00	72-83	DQ100	6	RANGER 4, 4. 5TON		EX	36.0	137.6	9.0	45°	d	13		
2352-1302-01														
13715-1320A														
2872-1305-01	57-61	DS50	6	TRUCK, BUS	RD35, ZC34, TC8000	IN	53.0	161.0	11.0	60°	d	13-1		
13711-1310A		DS60	6											
2872-1306-01		DS140				EX	45.0	161.0	11.0	45°	d	13-1		
13715-1450A														
2874-1301-01	60-88	DS70	6	TRUCK	KC, TE, RD	IN	50.0	157.0	10.0	60°	d	13		
13711-1320B		DS90		BUS										
2874-1302-01	62-68	DS80	6		KC320/420, KE102, 202	EX	43.0	157.0	10.0	45°	d	13		
13715-1460B					TE120/220, BT51/61/220									
2330-1301-12	67-77	EB100	6	TRUCK	KB,RE	IN	54.0	175.0	11.7	60°	d	13		
2330-2301-20				BUS										
13711-1140A	67-79	EB200	6											
13711-1141														
2330-1302-12					KB380/TC30	EX	48.0	175.0	11.7	45°	d	13		
13715-1290A														
13711-1030A	70-	EB300	6	TRUCK	KBI12, 303, 304	IN	54.0	175.1	12.0	60°	c	8		
13715-1040A						EX	48.0	175.1	12.0	45°	c	8		
13711-1090	71-86	EB300	6	TRUCK	KB, BY, RE	IN	53.0	175.1	12.0	60°	c	7		
13711-1091A	77-88	EB400	6	BUS										
13715-1122A						EX	47.0	174.8	12.0	45°	c	7		
13715-1500														
2380-1301-10	69-	EC100	6	TRUCK;RANGER	FD, K J, AM, RL	IN	46.5	132.45	9.0	45°	c	7		
13711-1180A				BUS;RAINBOW	KL3#/4#,AM 100/200									
2380-1302-10						EX	37.5	132.45	9.0	45°	d	7		
13715-1330A														
2400-1320-00	71-77	ED100	6	TRUCK	KB, KS, KF, TC, WP	IN	58.0	174.7	12.0	45°	d	8		
13711-1250B		(NEW)			ZC, ZG, ZH, ZM									
2400-1302-20						EX	52.0	174.35	12.0	45°	d	8		
13715-1390B														

HINO

ENGINE VALVE



O.E PART NO.	YEAR	ENGINE MODEL	CYL	VEHICLE		IN EX	DIMENSIONS						REMARKS	
				NAME	MODEL		HD	OL	SD	SA	HS	CG		
2390-1301-20 13711-1220A	71-	EF100	V8	TRUCK	KE702	IN	54.0	170.0	12.0	45°	d	8		
2390-1302-21 13715-1370A		EG100	V8		KA, KF, TC, ZM	EX	52.0	170.0	12.0	45°	d	8		
13711-1110A 13711-1330A	71-75 71-	EF100 EF100T	V8 V8	TRUCK BUS	KA, KF, TC, ZM RV	IN	54.0	167.7	12.0	45°	d	7		
13715-1140A	71-78	EG100 (NEW)	8			EX	52.0	167.7	12.0	45°	d	7		
13711-1370A 13711-1401A 13711-1050A	75-79 79- 76-	EF300 EF350 EF500	V8 V8 V8	TRUCK, BUS TRUCK, BUS TRUCK, BUS	ZM, TC, RS, RV KF, ZM, KS, RS KF, TC, WP, ZM, RV	IN	56.0	168.9	12.0	60°	d	7		
13715-1061B 13715-1060A	76-81 82-	EF700 EV700	V8 V10	TRUCK	SH, SS	EX	52.0	168.9	12.0	45°	d	7		
13711-1012 13711-1380A 13711-1390A 13711-1420A 13711-1011 13711-1450A 13711-1451A 13711-1561B	81- 81-	EF550 EF750 EK100	V8 V8	TRUCK, BUS TRUCK, BUS	FR, FS, RU FS, FU, RU	IN	57.0	170.0	12.0	60°	d	7		
13715-1012 13715-1013A 13715-1013C 13715-1680 13715-1011						EX	53.0	170.0	12.0	45°	d	7		
2382-1301-00 13711-1200A	72-	EH100	6	TRUCK;RANGER BUS;RAINBOW	K J, KL, WB, RL BX, AM	IN	49.7	132.45	9.0	45°	c	7		
2382-1302-00 13715-1350A				EX	41.7	132.45	9.0	45°	c	7				
2383-1301-10 13711-1100A 13711-1210A	74-80	EH300 EH500	6	TRUCK;RANGER BUS;RAINBOW	KL, kU, kJ RD, KR	IN	50.5	133.2	9.0	45°	c	7		
2383-1302-10 13715-1130A 13715-1131 13715-1360A 13715-1100							EX	42.5	132.95	9.0	45°	d		7

HINO

ENGINE VALVE



O.E PART NO.	YEAR	ENGINE MODEL	CYL	VEHICLE		IN EX	DIMENSIONS						REMARKS						
				NAME	MODEL		HD	OL	SD	SA	HS	CG							
13711-1081D 13711-1470 13711-1471	77-	EH700	6	TRUCK;RANGER	FT, FD, GD, FF, KR,	IN	48.0	142.0	9.0	60°	d	7							
13715-1220A 13715-1520A 13715-1081 13715-1111 13715-1110 13715-1111C	83-86			BUS;RAINBOW	KG RD, RR, R J, LB		EX	41.4	142.0	9.0	45°	d		7					
13711-1011A	75-			EK100	6	TRUCK	FH, KB, KF, WD,ZC, FC	IN	57.0	172.0	12.0	60°		d	8				
13715-1010	80-90			EK200	6	BUS	RC	EX	53.0	172.0	12.0	45°		d	8				
13715-1011A																			
13715-1000																			
13711-1350B 13715-1070B	78-			EL100 YA70	6	TRUCK;RANGER	FG, LB, KK	IN EX	50.0 46.5	144.5 144.5	10.0 10.0	60° 45°		d d	7 7				
13711-1410B 13711-1500 13711-1500C	81-			EM100 M10U	6	TRUCK	FH	IN	54.0 54.0	144.5 145.0	10.0 10.0	60° 60°		d d	7 7				
13715-1240B 13715-1240C		BUS, BLUERIBBON	RV			EX	48.0	144.0	10.0	45°	d	7							
13711-1430A 13711-1431A 13711-1530A 13711-1541C 13711-1541A		81-	EP100 M10C			6	TRUCK	FN, FR, GN	IN	50.0	144.9	10.0	60°	d	7				
13715-1260A 13715-1580A 13715-1580C 13715-1260C	EX			46.5	145.0					10.0	45°	d	7						
13711-1360A 13711-1580A				78-	ER100 ER200					6	BUS	RC	IN	55.0	162.4		12.0	60°	d
13715-1470A					YA89				EX				51.0	162.3	12.0		45°	d	7
13711-1610 13711-1611 13711-1611A				F20C F21	6				TRUCK, FR		IN	49.0	159.7	10.0	60°		d	7	
13715-1750 13715-1750A 13715-1630 13715-1631												EX	47.0	159.4	10.0		45°	d	
13711-1550		H07C	6			TRUCK	IN	48.0			134.6		9.0	60°	d	7			
13715-1590		H06CT	6				EX	41.4			134.3		9.0	45°	d	7			

HINO

ENGINE VALVE



O.E PART NO.	YEAR	ENGINE MODEL	CYL	VEHICLE		IN EX	DIMENSIONS						REMARKS
				NAME	MODEL		HD	OL	SD	SA	HS	CG	
13711-1790A 13711-1600B 13711-1590A 13711-1591A 13715-1620A 13715-1860A 13715-1820		P09C P11C	6	TRUCK, FR		IN EX	41.0 40.0	155.5 155.3	8.0 8.0	60° 45°	d d	7 7	
13711-1441 13711-1443 13711-78010 13711-1520 13711-1521 13715-1251 13715-1570 13715-78010	83-	W04D W06D	4 6	BUS;RAINBOW TRUCK;RANGER	AC140 3M	IN EX	45.5 40.0	123.1 122.9	9.0 9.0	60° 45°	d d	7 7	
13711-1240 2400-1301-24 13715-1380 2400-1302-04	71-75	ED100 (OLD)	6	TRUCK	KF, ZM(OLD), ED100	IN EX	58.0 52.0	175.0 174.5	12.0 12.0	45° 45°	d d	13 13	
13711-1340		DS56	6	TRUCK		IN	50.0	161.4	11.0	45°	d	13	
13711-1632 13711-1631 13711-1830 13715-1733 13715-1732 13715-1730		JO5C JO7C JO8C	6 4 5			IN EX	39.0 37.0	132.8 132.2	7.0 7.0	60° 45°			
S13711-1800 S13715-1870		N04C	4			IN EX							
13711-1820 13711-1650 13711-1700 13715-1600 13715-1671 13715-1720 13715-1790		K13C F17E			FR. FS. FV	IN EX	46.0 45.0	159.85 158.9	9.0 9.0	60° 45°			

HONDA

ENGINE VALVE



O.E PART NO.	YEAR	ENGINE MODEL	CYL	VEHICLE		IN EX	DIMENSIONS						REMARKS
				NAME	MODEL		HD	OL	SD	SA	HS	CG	
14711-611-000	72-	EB1	4	CIVIC1200	SB1	IN	34.0	112.8	6.6	45°	c	5	
14721-611-000		ED2				EX	30.0	112.7	6.6	45°	d	5	
14731-657-670		EE/EF				AUX	12.0	82.4	5.5	45°	a	10	
14731-657-671													
14711-634-000	78-	EB5/EN	4	CIVIC1200	SK, SL, SP, SS SG, SH, SC, SF	IN	36.0	109.5	6.6	45°	c	5	
14711-634-920		ED				EX	32.0	109.5	6.6	45°	c	5	
14711-634-921		EE											
14711-634-671													
14721-634-940													
14721-634-000													
14721-634-671													
14721-634-920													
14721-634-980													
14711-671-000	79-	EC	4	CIVIC1500, COUNTRY1500, BALLADE 1500	SE, VB, SG, SH, SC SF, SR, ST, WD	IN	35.0	112.8	6.6	45°	c	5	
14711-671-003	79-	ED				EX	28.0	113.7	6.6	45°	c	5	
14721-657-671	EF												
14721-657-673	EJ												
14721-657-000													
14721-657-003													
14731-657-003						AUX	12.0	89.5	5.5	45°	a	6	
14711-611-000	75-78	EE				4	CIVIC1200	SC, SG, SH	IN	34.0	112.8	6.6	
14721-657-673	76-79	EF	4	ACCORD1600	SJ	EX	28.0	113.7	6.6	45°	c	5	
14721-657-003													
14731-657-003													
14711-671-000	78-	EF	4	ACCORD	B, SJ-1	IN	35.0	112.8	6.6	45°	c	5	
14711-671-003		EJ	4	CIVIC		EX	28.0	113.0	6.6	45°	d	5	
14721-657-671													
14721-657-672													
14721-657-673													
14731-657-671			AUX	12.0	88.4	5.5	45°	a	21				
14711-PA6-000	82-	EJ	4	CIVIC1500	SL, ST, SR	IN	35.0	114.4	6.6	45°	c	5	
14721-PA6-000		EM		EX		28.0	114.5	6.6	45°	d	5		
14731-PA6-000				AUX		12.0	94.7	6.6	45°	a	5		
14711-671-000	76-78	EK	4	ACCORD	B, SH-1	IN	35.0	112.8	6.6	45°	c	5	
14711-671-003						EX	28.0	113.0	6.6	45°	d	5	
14721-657-010													
14721-657-671													
14731-657-671		AUX	12.0	88.4	5.5	45°	a	21					
14711-PC1-000	78-	EK	4	ACCORD1800, PRELUDE1800 VIGOR1800	SM, SZ, SN	IN	36.0	113.3	7.0	45°	c	7	
14721-PC1-000				EX		30.0	113.2	7.0	45°	c	7		
14721-PC3-600													
14731-689-000												AUX	

HONDA

ENGINE VALVE



O.E PART NO.	YEAR	ENGINE MODEL	CYL	VEHICLE		IN EX	DIMENSIONS						REMARKS	
				NAME	MODEL		HD	OL	SD	SA	HS	CG		
14711-689-000	80-	EK	4	ACCORDE 1800, PRELUDE 1800	SM100, SN10	IN	34.0	113.3	7.0	45°	c	7		
14721-676-641						EX	28.0	113.7	7.0	45°	c	7		
14721-689-660							28.0	113.0	7.0	45°	d	7		
14721-689-000							12.0	89.5	6.6	45°	a	5		
14731-689-000							AUX	12.0	89.5	6.6	45°	a		5
14721-PC3-600	82-	EK	4	ACCORD		EX	30.0	113.7	7.0	45°	c	7		
14721-PC7-000							35.0	121.5	7.0	45°	c	7		
14721-PH1-600							33.0	113.7	6.6	45°	c	7		
14721-PE7-000							33.0	113.7	6.6	45°	c	7		
14711-634-000	79-	EN	4	CIVIC1300	SK,SL,SP,SS,VE, VC	IN	36.0	109.5	6.6	45°	c	5		
14711-634-920						EX	32.0	110.2	6.6	45°	c	5		
14721-PA1-000							AUX	12.0	97.7	6.6	45°	a		21
14721-PA1-671								12.0	97.7	6.6	45°	a		21
14731-PA6-660								12.0	97.7	6.6	45°	a		21
14711-PB2-000	80-	EP/EL EK1	4	ACCORD1600, QUINT1600 PRELUDE QUINTET	SV, SU, SY	IN	35.0	113.3	7.0	45°	c	7		
14721-676-641						EX	28.0	113.7	7.0	45°	c	7		
14721-689-660							28.0	113.2	7.0	45°	d	7		
14721-689-000							28.0	113.2	7.0	45°	d	7		
14721-PB2-000							28.0	113.1	7.0	45°	d	7		
14731-PB2-000							AUX	12.0	93.8	6.6	45°	d		5
14711-PC6-000	83-	ES EY	4	ACCORD1800, PRELUDE1800 ,ACCORD1600, VIGOR1800	AB AD AC (3 VALVE)	IN	30.0	120.5	6.6	45°	c	7		
14711-PD4-000	83-					EX	26.0	120.5	6.6	45°	c	7		
14721-PC6-000							35.0	120.7	7.0	45°	c	7		
14721-PH1-000							35.0	121.5	7.0	45°	c	7		
14731-PC6-000							AUX	12.0	96.7	6.6	45°	d		5
14711-PE0-000	73-	EV/EY EW	4	CIVIC1300, BALLADE1300, CIVIC1500, BALLADE1500	AG, AK, A J, AE, VJ AH, AK, AF (3 VALVE)	IN	27.0	112.8	6.6	45°	c	7		
14721-PE0-000	83-					EX	32.0	114.0	6.6	45°	c	7		
14721-PE0-024							AUX	12.0	89.3	6.6	45°	d		5
14731-PE0-000								12.0	89.3	6.6	45°	d		5
14711-PE0-660	84-	EV/EY EW	4	CIVIC1300, 1500 BALLADE1300, 1500	AG, AK, A J, SE, AM	IN	30.0	112.8	6.6	45°	c	7		
14721-PE0-660						EX	29.0	113.8	6.6	45°	c	7		
14711-PD4-000	84-87	A15 A18 A20	4	ACCORD, INTEGRA, CR-X PRELUDE	D16A, ZC BS, BT	IN	26.0	120.5	6.6	45°	c	7		
14711-PG6-000						EX	30.0	105.5	6.6	45°	c	7		
14721-PG6-000							27.0	104.5	6.6	45°	c	7		
14711-PH3-000		B20A C20A C27A	4	LUGEND PRELUDE		IN	33.0	104.4	6.6	45°	c	7		
14721-PH3-000						EX	28.0	106.0	6.6	45°	c	7		
14711-PH3-000		D13/D15	4			IN	33.0	104.4	6.6	45°	c	7		
14721-PH7-000						EX	27.5	106.6	6.6	45°	c	7		

HONDA

ENGINE VALVE



O.E PART NO.	YEAR	ENGINE MODEL	CYL	VEHICLE		IN EX	DIMENSIONS						REMARKS			
				NAME	MODEL		HD	OL	SD	SA	HS	CG				
14711-PM3-000	88-91	D13/D15 ZC	4	CIVIC, CR-X INTEGRA1600 CIVIC1500	D13, 15B-ZC	IN	29.0	115.0	5.5	45°	c	7				
14711-PR4-A00						EX	31.0	105.4	6.6	45°	c	7				
14721-PM3-000						AUX	25.0	118.7	5.5	45°	c	7				
14731-PD2-000		D13/D15 ZC				IN	12.0	98.1	6.6	45°	d	5				
14731-PD2-010			AUX													
14711- PO8-000	92-	D16	4	CIVIC/DEL SOL CIVIC/DEL SOL(W/VTEC)		IN	30.0	118.6	5.5	45°	c	7				
14711-P2A-000	92-					EX	26.0	116.0	5.5	45°	c	7				
14721-PO8-000						D16A										
14711-P2A-000																
14711-PO7-000		D15	4			IN	27.5	120.0	5.5	45°	c	7				
14721-PO7-000						EX	23.5	118.0	5.5	45°	c	7				
14711- PT0-000	89-	F18 F20	4	ACCORD1800 2000	CB, CD	IN	32.0	112.0	5.5	45°	c	7				
14711-POJ-A00						EX	32.0	112.0	5.5	45°	c	7				
14711-P0B-A00																
14721-PT0-000																
14721-PT0-B00																
14711-PT2-000	92-	F22 H23	4	PRELUDE		IN	34.0	104.0	6.6	45°	c	7				
14721-PT2-000						EX	29.0	103.0	6.6	45°	c	7				
14711-PT3-A00	90-	F22A	4	ACCORD/PRELUDE (W/O VTEC 92 ON)	DX, LX	IN	34.0	112	5.5	45°	c	7				
14711-PT5-A00						EX	29.0	123.5	5.5	45°	c	7				
14711-PT5-000																
14711-PT7-000																
14721-PT3-A00																
14721-PT3-Y00																
14721-POJ-A00																
14721-PT6-A00																
14721-PT3-000																
14711-PY3-000	91-		6	LEGEND		IN	32.8	114.8	5.5	45°	c	7				
14711-PY6-000						EX	28.0	117.6	5.5	45°	c	7				
14721-PY3-000																
14721-PK2-000	90-91		4	PRELUDE		EX	28.0	105.0	6.6	45°	c	7				
14711-P13-000		H22		(W/FUEL INJECTION)		IN	35.0	107	5.5	45°	c	7				
14721-P13-000						EX	30.0	107.0	5.5	45°						
14711-371-000	79-	ACTY EH (OLD)	2	TN550		IN	38.0	102.4	6.6	45°						
14711-679-620						EX	32.0	101.3	6.6	45°						
14721-371-000																
14711-679-621		ACTY EH (NEW)				IN	37.0	102.2	6.6	45°						
14711-PH9-000			EX	33.0	101.2	6.6	45°									
14711-PR3-000	94-97	B16A	4	CIVIC	B18V	IN	33.0	102.3	5.5	45°	c	7				
14721-PR3-000						EX	28.0	102.5	5.5	45°	c	7				
14711-P2A-000	96-98	D13B D15B D16A		CIVIC		IN	30.0	118.6	5.5	45°						
14721-P2A-000						EX	26.0	116.0	5.5	45°	c	7				

HONDA

ENGINE VALVE



O.E PART NO.	YEAR	ENGINE MODEL	CYL	VEHICLE		IN EX	DIMENSIONS						REMARKS
				NAME	MODEL		HD	OL	SD	SA	HS	CG	
14711-PV1-000						IN	34.0	112.0	5.5	45°	c	7	
14721-PV1-000						EX	29.0	125.0	5.5	45°	c	7	
14711-PC0-000	84-	ER	4	CITY		IN	30.0	118.0	6.6	45°			
14721-PC0-000				JAZZ		EX	24.0	117.0	6.6	45°			
14711-ZF0-000				UNIVERSAL SMALL ENGINE		IN	22.0	62.2	5.5	45°	c	5	
14721-ZF0-000						EX	19.0	60.7	5.5	45°	c	5	
14711-ZF1-000				UNIVERSAL SMALL ENGINE		IN	25.0	63.8	5.5	45°	c	5	
14721-ZF1-000						EX	24.0	62.3	5.5	45°	c	5	
14711-POA-000	97-	F23A		NSX,NSX-T2.2L	ACCORD 96 2.2	IN	34.0	115.9	5.5	45°	c	7	
14721-POA-000						EX	29.0	114.0	5.5	45°	c	7	
14711-KC6-950						IN	30.0	91.0	5.5	45°	c	7	
14715-KC6-950						EX	25.0	90.2	5.5	45°	c	7	
14711-P36-000		F6A				IN	24.5	115.8	5.5	45°	c	7	
14615-P36-000						EX	21.0	117.6	5.5	45°	c	7	
						IN							
14721-POA-Y00						EX	29.0	114.6	5.5	45°	c	7	
14711-PNA-000						IN							
14721-PNA-000						EX							
14711-RBO-000						IN							
14721-RBO-000						EX							
14711-RNA-A00		R18A	4			IN	32.0	116.7	5.5	45°			
14721-P1J-EOO						EX	26.0	116.0	5.5	45°			
14711-CR97-000			4			IN	31.0	105.5	6.6	45°			
14721-CR97-000						EX	28.0	106.0	6.6	45°			
14711-POH-A00			4	ACCORD 96 2.2		IN	34.0	116.1	5.5	45°			
14721-POH-A00						EX	29.0	114.3	5.5	45°			
14711-P36-000		E07Z	3	ACTY LIFE		IN	24.5	115.7	5.5	45°			
14721-P36-000				LIGHT-TRUCK		EX	21	117.7	5.5	45°			
14711-PN4-000		E07Z (NEW)	3	ACTY LIFE		IN	23.0	115.7	5.5	45°			
14721-PN4-000				LIGHT-TRUCK		EX	20.0	115.7	5.5	45°			
14711-REA-F00		L13A L15A	4	FIT MOLBILIO		IN	32.0	118.35	5.5	45°			
14711-PWA-000				FIT1.4 8v									
14721-PWA-000				EX	27.9	118.10	5.5	45°					
14711-H30A-000		H30A				IN	27.5	79.70	5.0	45°			
14721-H30A-000						EX	23.5	78.80	5.0	45°			
14711-PWC-000		L15A6		FIT1.5L 16V		IN	27.6	118.4	5.5	45°			
14721-PWC-010						EX	23.0	117.6	5.5	45°			
14711-PR4-000		D18A				IN	31.0	105.5	6.6	45°			
14721-PH3-000						EX	28.0	106.0	6.6	45°			
14711-889-000		DA20				IN	34.0	99.6	7.0	45°			
14721-889-000						EX	29.0	100.5	7.0	45°			
14711-883-000						IN	29.0	96.2	7.0	45°			
14721-883-010						EX	26.0	96.0	7.0	45°			

HONDA(MOTORCYCLE) ENGINE VALVE



O.E PART NO.	YEAR	ENGINE MODEL	CYL	VEHICLE		IN EX	DIMENSIONS						REMARKS
				NAME	MODEL		HD	OL	SD	SA	HS	CG	
14711-028-000		CS90				IN	27.0	68.0	5.5	45°			
14721-028-000		CS90Z				EX	23.0	66.6	5.5	45°			
14721-028-602													
14711-087-000		C65/C70				IN	25.0	64.5	5.5	45°			
14721-087-000		C80				EX	22.0	63.9	5.5	45°			
14721-087-010													
14711-107-020		CB100				IN	27.5	93.4	5.5	45°			
14721-107-020		CB500				EX	21.0	92.2	5.5	45°			
14711-036-000		CF120/C50		C900		IN	23.0	66.0	5.5	45°			
14721-036-000		C700/C800				EX	20.0	65.3	5.5	45°			
14711-GB6-910		C90		ASTREA		IN	22.0	67.0	5.0	45°			
14721-GB6-910		C800A				EX	19.0	66.5	5.0	45°			
14711-GN5-911		C800S CH100				IN	23.0	65.9	5.0	45°			
14721-GF6-000						EX	20.0	65.0	5.0	45°			
14721-GF6-010													
14711-115-000		CB50				IN	22.5	80.2	5.5	45°			
14721-115-000		CB50T				EX	19.5	79.5	5.5	45°			
14711-152-000		XL100				IN	24.0	79.1	5.5	45°			
14721-116-000						EX	20.5	78.7	5.5	45°			
14711-087-710		C70MK3				IN	23.7	64.5	5.5	45°			
14721-087-710		C70Z2				EX	21.0	64.0	5.5	45°			
14711-081-010		PC50K1				IE	16.0	47.5	5.5	45°			
14721-081-010													
14711-001-010		C100				IN	22.0	61.2	5.5	45°			
14721-001-010						EX	19.0	60.7	5.5	45°			
14711-235-000		S110				IN	28.0	74.0	5.5	45°			
14721-350-000						EX	22.0	75.5	5.5	45°			
14711-GB2-000		C50C				IN	21.0	68.0	5.5	45°			
14721-GB2-000						EX	18.0	67.4	5.5	45°			
14711-383-000		CG110				IN	29.0	93.3	5.5	45°			
14721-383-000		CG125				EX	24.0	92.6	5.5	45°			
14711-KG2-000		GL145				IN	31.5	91.5	5.5	45°			
14721-KG2-000		GLPRO				EX	26.0	90.6	5.5	45°			
14711-437-000		XLS125				IN	30.0	92.0	5.5	45°			
14721-437-000		KG135/ 185/200				EX	25.0	91.5	5.5	45°			
14711-107-020		GL100				IN	27.5	93.4	5.5	45°			
14721-323-000						EX	23.0	92.5	5.5	45°			
		CBX150				IN	31.5	90.0	5.5	45°			
						EX	26.0	89.3	5.5	45°			
14711-108-000		B12				IN	31.0	88.17	5.5	45°			
14711-B12-000		SY-125											
14721-108-000						EX	26.0	88.4	5.5	45°			
14721-B12-000													
12911-052111		GS125				IN	30.0	90.5	5.5	45°			
12912-052111		GS150N				EX	26.0	89.5	5.5	45°			
		CH150				IN	26.0	80.9	5.0	45°			
						EX	22.0	80.9	5	45°			

HONDA(MOTORCYCLE) ENGINE VALVE



O.E PART NO.	YEAR	ENGINE MODEL	CYL	VEHICLE		IN EX	DIMENSIONS						REMARKS
				NAME	MODEL		HD	OL	SD	SA	HS	CG	
14711-439-970		GL100				IN	27.5	91.5	5.5	45°			
14721-439-970		CDI				EX	23.0	91.0	5.5	45°			
14711-KW1-900		GLPRO				IN	31.5	89.0	5.5	45°			
14721-KG2-950		CDI				EX	26.0	88.5	5.5	45°			
14711-GY6-9000		豪邁125				IN	24.0	64.8	5.0	45°			
14700-M8Q-0000		GY6											
14721-GY6-9000						EX	21.5	64.3	5.0	45°			
14721-M8Q-0000													
		GB2				IN	21.0	68.3	5.5	45°			
						EX	18.0	67.4	5.5	45°			
		GB4				IN	20.0	68.8	5.0	45°			
						EX	17.0	68.3	5.0	45°			
14711-KL3-670		XL-350				IN	32.0	103.5	5.5	45°			
14721-KFO-000						EX	29.0	101.8	5.5	45°			
1654005006		CG165				IN	30.0	92.2	5.5	45°			
1654005007						EX	25.0	91.0	5.5	45°			
		CE-90				IN	23.0	66.0	5.5	45°			
						EX	20.0	65.3	5.5	45°			
14711-KBG-9000		豪邁50				IN	18.5	64.1	5.0	45°			
14721-KBG-9000						EX	16.0	64.1	5.0	45°			
14711-KBF-9000		豪邁150				IN	27.8	65.9	5.0	45°			
14721-KBF-9000		(GY6)				EX	22.9	65.3	5.0	45°			
14711-KC6-920		GLMAX /CDI				IN	30.0	90.5	5.5	45°			
14721-KC6-920						EX	25.3	89.8	5.5	45°			
		CB125T				IN	30.0	91.1	5.5	45°			
						EX	25.0	90.4	5.5	45°			
		GY6				IN	24.0	69.4	5.0	45°			
		(加長型)				EX	21.5	70.9	5.0	45°			
		三冠王				IN	27.0	81.2	5.0	45°			
						EX	23.0	80.0	5.0	45°			
		WY-156FV				IN	22.0	86.4	5.0	45°			
						EX	19.0	85.5	5.0	45°			
14711-019-000		CG125				IN	29.0	93.3	5.5	45°			
14721-019-000						EX	24.0	92.6	5.5	45°			
14711-X01-0000						IN	22.5	69.5	5.0	45°			
14721-X01-0000						EX	19.0	68.7	5.0	45°			
14711-GN5-913		DREAM				IN	23.0	66.0	5.0	45°			
14711-GN5-912													
14721-GF6-010						EX	20.0	65.3	5.0	45°			
		CG200				IN	33.0	91.9	5.5	45°			
						EX	29.0	91.06	5.5	45°			
253880		175C.C				IN	20.0	77.3	4.0	45°			
253892						EX	18.0	77.3	4.0	45°			
14711-R-30						IN	24.0	85.19	5.0	45°			
14721-R-30						EX	21.0	84.67	5.0	45°			
		MFS2503				IN	31.0	99.9	5.0	45°			
						EX	26.0	98.6	5.0	45°			

HONDA(MOTORCYCLE) ENGINE VALVE



O.E PART NO.	YEAR	ENGINE MODEL	CYL	VEHICLE		IN EX	DIMENSIONS						REMARKS
				NAME	MODEL		HD	OL	SD	SA	HS	CG	
14711-383-6600						IN	30.0	92.0	5.5	45°			
14721-KYO-9800						EX	24.0	92.6	5.5	45°			
14721-KCS-6500													
		H08				IN	27.8	74.6	5.0	45°			
						EX	22.9	73.2	5.0	45°			
		380				IN	25.0	66.0	5.0	45°			
						EX	22.0	65.3	5.0	45°			
		APE100				IN	28.0	78.0	4.0	45°			
						EX	23.0	76.6	4.0	45°			
		RV1 SONIC				IN	28.0	66.0	5.0	45°			
						EX	24.0	66.0	5.0	45°			
		RV1 CBR70				IN	34.0	64.0	5.0	45°			
						EX	29.5	64.0	5.0	45°			
14711-197-000		150C.C				IN	19.4	83.2	5.0	45°			
14721-197-000						EX	16.5	86.0	5.0	45°			
		三冠王 奔騰NEW				IN	27.0	81.2	5.0	45°			
						EX	27.0	81.2	5.0	45°			
14711-ZOZ-800		GX35				IN	15.5	42.3	3.5	45°			
14721-ZOZ-800						EX	14.0	42.3	3.5	45°			
14711-KGH-900		SONIC				IN	28.0	81.2	5.0				
14721-KGH-900						EX	24.0	80.0	5.0				
14711-KFM-900		WAVE110				IN	23.0	66.0	5.0				
14721-GF6-010						EX	20.0	65.4	5.0				
14711-KPH-900		WAVE125				IN	24.0	72.0	5.0				
14721-KPH-900						EX	21.0	71.7	5.0				
12911-23F00-000		BEST				IN	25.0	79.9	5.0				
12912-23F00-000		BEST125				EX	22.0	79.7	5.0				
12911-30D00		VIVA				IN	25.0	67.2	5.0				
12912-30D00						EX	22.0	67.0	5.0				
		JX110				IN	29.0	93.6	5.45				
						EX	24.08	92.58	5.44				
4YS-E2111-00		RAINBOW				IN	23.0	65.4	4.5				
4YS-E2121-00						EX	20.0	64.8	4.5				
12004-1158		CHEER				IN	24.0	71.3	4.5				
12005-1333						EX	21.0	70.4	4.5				
14711-KPP-900		CBR				IN	25.5	81.7	3.79				
14721-KPP-900						EX	21.0	82.3	3.77				
5TN-E2111-00		SPARK110				IN	23.0	65.4	4.5				
5TN-E2121-00						EX	20.0	64.8	4.5				
5YP-E2111-00		SPARK135				IN	19.5	85.0	4.5				
5YP-E2121-00						EX	17.0	85.0	4.5				
12911-09G20-000		SMASH				IN	25.0	67.2	5.0				
12912-20G20-000						EX	22.0	66.9	5.0				
12004-1158		KAZE125				IN	24.0	71.3	4.5				
12005-1333						EX	21.0	70.4	4.5				

HONDA(MOTORCYCLE) ENGINE VALVE



O.E PART NO.	YEAR	ENGINE MODEL	CYL	VEHICLE		IN EX	DIMENSIONS						REMARKS
				NAME	MODEL		HD	OL	SD	SA	HS	CG	
14711-KVB-900		CLICK				IN	25.5	76.6	5.0				
14721-KVB-900			EX	21.0	74.5	5.0							
5LW-E2111-00		NOUVO110				IN	23.0	66.4	5.0				
5LW-E2121-00			EX	20.0	65.3	5.0							
5P0-E2111-00		NOUVO135				IN	28.0	82.1	5.0				
5P0-E2121-00			EX	22.5	81.5	5.0							
		TIGER				IN	27.0	65.7	5.0				
			EX	23.0	65.1	5.0							

ISUZU

ENGINE VALVE

O.E PART NO.	YEAR	ENGINE MODEL	CYL	VEHICLE		IN EX	DIMENSIONS						REMARKS
				NAME	MODEL		HD	OL	SD	SA	HS	CG	
1-12551-050-0 1-12551-054-0 1-12551-054-1 1-12551-165-0 5-12551-006-0 5-12551-036-0 5-12551-042-0 5-12551-048-0 5-12551-024-0 8-94461-957-0 8-94461-957-1 8-97028-702-0 8-94129-550-0 8-97034-379-0 9-12551-801-0 8-94414-833-0 8-94414-833-1 8-94129-550-0 8-97028-961-0	73- 73- 79- 79-	4BA1 4BB1 4BC1 4BC2	 4 4 4 6 6 6 6 6 6 4 4	EFL, ELF250, ELF350, EFL, BUS JOURNEY-K, JOURNEY-L, JOURNEY-M, FORWARD, TORWARDBUS	BE20, BE22, BK, BK32, BL BL35/36, BLD30, BY, BY31 CCM 1CS11/31, DBR, EDM, FBR,	IN EX	45.0 38	127.8 127.8	9.0 9.0	45° 45°	d d	7 7	
1-12552-025-0 1-12552-025-1 1-12552-111-0 1-12552-052-0 5-12552-005-0 5-12552-025-0 5-12552-023-0 5-12552-024-0 5-12552-030-0 5-12552-031-0 5-12552-036-0 5-12552-043-0 5-12552-042-0 5-12552-042-1 5-12552-048-0 9-12552-240-0 8-94461-958-0 8-97028-706-0 8-97028-707-1 8-97028-704-0 1-12552-052-0 1-12552-079-1 1-12552-083-0 1-12552-115-0 8-94333-114-0 8-94414-834-0 8-97028-707-2 8-97028-706-0	80- 72- 76- 80- 70- 70-	4BD1 6BB1 6BD1 6BF1 C330 D500 4BD1 4BE1	4 6 6 6 6 6 6 4	 KS10/11/12/20/21/22/ 30 31/32 KT, KT25/26/35/36,SBR, SBR320/560,SCR,SD R,TLD TLD24/26/34/44/46/54 55/56 TLD64/65/66,TR,TR20 /70, TWD FTR NPR	FDR, JBR, KA20, FORWARD ELF	EX EX	38 32.0	127.8 115.8	9.0 8.0	45° 45°	d d	7 7	
9-12551-093-2 9-12551-093-0 8-94130-749-0 9-12551-802-0 9-12551-802-1 9-12551-037-0 8-94026-571-0 9-12552-801-0 9-12552-014-0 8-94118-839-0 5-12552-026-0 5-12552-071-0 5-12552-090-0 8-94027-307-0	71-	C190 C200 C221	4 4 4	JOURNEY-S, FLORIAN ELF150, FASTER FLORIAN	PAD, KA, KAD, KBD KA040/50 KBD20/25/41/46 TLD23143153163 UBS52/PAD	IN EX	38.0 32.0	115.8 115.8	8.0 8.0	45° 45°	d d	7 7	
5-12551-028-0 5-12551-028-2 5-12551-030-0 8-94030-688-0 8-94029-351-0 5-12552-034-0 5-12552-034-1 5-12552-034-2 5-12552-038-0 8-94030-689-0 8-94029-352-0	71- 79- 69-	C223 C240 G180	4 4 4	JOURNEY-S, FLORIAN, ELF150, 117COUPE, BIGHORN, TROOPER LUVTRUCK, JOURNEY-M, S, ELF150/250 RODEO	PAD, KA, KAD, KBD PAD, UBS, VFR, KBD KAD, TLD, BLD, KA,	IN EX	40.0 34.0	115.8 115.8	8.0 8.0	45° 45°	d d	7 7	

ISUZU

ENGINE VALVE



O.E PART NO.	YEAR	ENGINE MODEL	CYL	VEHICLE		IN EX	DIMENSIONS						REMARKS										
				NAME	MODEL		HD	OL	SD	SA	HS	CG											
9-12551-142-0	65-70	D370	6	DIESEL TRUCK, BUS	TY20/41 BY30	IN	43.0	127.8	9.0	45°	d	7											
9-12552-143-0		D400				EX	35.0	127.8	9.0	45°	d	7											
9-12552-131-0																							
9-12551-109-0	68-	D920	6	DIESEL TRUCK, BUS	TD, BU	IN	56.0	163.0	12.0	60°	d	8											
9-12551-120-0	80-	E110				DIESEL TRUCK, BUS								TDJ, CTM	IN								
9-12551-134-0																							
9-12551-150-0	80-	6QA1	6	DIESEL TRUCK, BUS	SLR	EX	51.0	163.0	12.0	60°	d	8											
9-12552-153-0		6QB1																					
9-12552-198-0																							
9-12552-168-0																							
9-12552-197-0																							
9-12552-262-0																							
9-12552-262-1																							
9-12552-254-0																							
9-12552-167-0																							
9-12552-167-1																							
9-12552-262-2																							
9-12552-179-0																							
9-12552-179-1																							
9-12552-058-0																							
9-12551-022-0	56-	DA120	6	DIESEL TRUCK, BUS	TXD10/60, BA343	IN	44.0	144.0	10.0	45°	d	1											
9-12551-072-0																							
9-12551-073-0																							
9-12552-035-0	56-	DA640	6	DIESEL TRUCK, BUS	BR10/20, BB341	EX	40.0	144.0	10.0	45°	d	1											
9-12552-105-0																							
9-12552-102-0																							
9-12552-054-0																							
9-12552-150-0																							
9-12551-071-0	65-	DA120	6	DIESEL TRUCK, BUS	TXD30/70, BA351	IN	44.0	144.0	10.0	45°	c	7											
9-12552-103-0	65-	DA640				6								DIESEL TRUCK, BUS	BR351, BB351	EX	40.0	144.0	10.0	45°	d	1	
9-12552-121-0																							
9-12552-157-0																							
9-12552-151-0																							
9-12551-132-0	58-81	DA120	6	DIESEL TRUCK, BUS	TSD, TWD, TXD BXD, SFR, TWD, BA, BF, BR (DUAL-GROOVE)	IN	44.0	144.0	10.0	45°	d	8											
9-12551-125-0	69-	DA640				6								DIESEL TRUCK, BUS	TSD, TWD, TXD BXD, SFR, TWD, BA, BF, BR (DUAL-GROOVE)	IN							
9-88511-175-0																							
9-88511-177-0																							
9-12552-177-0						EX	40.0	144.0	10.0	45°	d	8											
9-12552-208-0																							
9-12552-217-0																							
9-88511-176-0																							
9-88511-178-0																							
9-12552-054-0																							
9-12552-169-0																							
1-12551-002-0	73-	DA640	6	DIESEL TRUCK, BUS	TSD, TWD, TXD BXD, SFR, TWD BA, BF, BR (DUAL-GROOVE)	IN	46	144.0	10.0	45°	d	8											
1-12551-008-0		DA120				6								DIESEL TRUCK, BUS	TSD, TWD, TXD BXD, SFR, TWD BA, BF, BR (DUAL-GROOVE)	IN							
1-12551-003-0		DA220																					
1-12551-013-0		DA640T																					
1-12552-001-0							EX	42.0	144.0	10.0	45°	d	8										
1-12552-003-1																							
1-12552-003-0																							
1-12552-007-0																							
9-12551-030-0	63-	DH100	6	DIESEL TRUCK, BUS	TD40/90 TP60/70/80	IN	54.0	164.0	12.0	45°	d	1											
9-12551-077-0																							
9-12552-154-0						EX	48.0	164.0	12.0	45°	a	1											
9-12552-089-0																							
9-12552-049-0																							
9-12552-061-0																							
9-12552-111-0																							
9-12552-207-0																							
9-12552-127-0																							

ISUZU

ENGINE VALVE



O.E PART NO.	YEAR	ENGINE MODEL	CYL	VEHICLE		IN EX	DIMENSIONS						REMARKS												
				NAME	MODEL		HD	OL	SD	SA	HS	CG													
9-12551-188-0 9-12551-188-1 9-12551-197-1	70-	DH100	6	DIESEL TRUCK, BUS	SLR, TD, BD, CCM, CLM	IN	54.0	164.0	12.0	45°	d	8													
EX						48.0								164.0	12.0	45°	d	8							
9-12552-251-2 9-12552-251-0 9-12552-251-1																									
1-12551-010-0 1-12551-010-1 9-12551-192-0	70-	E120	6	DIESEL TRUCK, BUS	BUK SERIES VPZ	IN	47.0	164.0	11.0	45°	d	8													
EX						45.0								164.0	11.0	45°	d	8							
1-12552-010-0 1-12552-010-1 9-12552-256-0 9-12552-256-1																									
1-12551-004-2 1-12551-004-0 1-12551-012-0 1-12551-057-0 1-12551-057-1 1-12551-025-2 1-12551-129-0 1-12551-047-1 1-12551-047-0	75-	E120T 8MA1	6	DIESEL TRUCK, BUS	SPG, SPK, SPM, SPR, SPZ TG, TMK, YPE BU, CPA	IN	47.0	164.0	11.0	45°	d	7-1													
EX						45.0								164.0	11.0	45°	d	7-1							
1-12552-012-0 1-12552-006-0 1-12552-013-2 1-12552-013-0 1-12552-028-0																									
8-94216-589-0 8-94216-589-1	82-	4FB1	4	GEMINI1800, FARGO	PFD60, WFR50	IN	39.0	132.3	8.0	45°	d	7													
8-94108-307-0	82-	4FC1	4	FARGO, ASKA2000	WFR51 J J510	EX								34.0	132.3	8.0	45°	d	7						
8-94216-590-0	83-	4FD1	6	FARGO	WFS53																				
8-94449-047-0 8-94178-106-0 8-94178-106-2	92-	4FG1 4FBI(T) 4FC1	4	FARGO GEMINI	WFK WFR51	IN	39.0	134.3	8.0	45°	d	7													
8-94449-048-0 8-94178-107-2						EX								34.0	134.3	8.0	45°	d	7						
5-12551-050-0 5-12551-005-0 9-12552-175-0 9-12552-098-0 9-12552-129-0 9-12552-215-0 9-12552-098-0						63-								G130 G150 G161	4	WAPS BELLET LIGH		IN	38.0	109.8	8.0	45°	c	7	
EX																		32.0							
9-12551-159-0 9-12551-128-0 9-12552-175-0 9-12552-215-0	68-	G161	4	BELLET, FLORIAN FASTER(LUV), ELF	PR50/91, PA20 KB20, KA51	IN	41.0	109.8	8.0	45°	c	7													
EX						32.0								109.8	8.0	45°	c	7							
8-94205-977-0 8-94200-742-0	66-	G161Z	4	FLORIAN 1600, BELLET1600	PA, KA, KB, PF, KR	IN	42	109.6	8.0	45°	c	2													
8-94200-745-0 8-94200-977-0 8-94200-743-0 8-94212-835-0	69- 80-	G180 G18Z G200	4 4	GEMINI1600, 117COUPE1800, FLORIAN PIAZZA2000, TROOPER,	PA, PF, KB JR, PA, UBS, KB	EX								34.0	110.8	8.0	45°	c	2						
8-94217-178-0 8-94119-147-0 8-94217-179-0 8-94218-179-0	80-	G161Z G180 G18Z G200	4 4 4	CHEV, LUV1800	KB30/40	IN	40.4	110.6	8.0	45°	c	2													
EX						34.0								109.3	8.0	45°	c	2							

ISUZU

ENGINE VALVE



O.E PART NO.	YEAR	ENGINE MODEL	CYL	VEHICLE		IN EX	DIMENSIONS						REMARKS		
				NAME	MODEL		HD	OL	SD	SA	HS	CG			
5-12551-030-0	80-82	G180	4	CHEV, LUV 10-11(D)		IN	40.0	115.8	8.0	45°	d	7			
5-12552-038-0						EX	34.0	115.8	8.0	45°	d	7			
8-94133-275-1		4JB1	4	ELF 2500	3	IN	40.1	118.1	8.0	45°	d	7			
8-94133-275-0		4JA1		ELF 2700											
8-94133-028-1															
8-94133-028-1															
8-97010-464-0		4JB1CT						EX	35.7	118.1	8.0	45°		d	7
8-94464-921-1															
8-94247-875-1															
8-94133-875-1															
8-94433-245-0															
8-97010-463-0															
8-97131-729-1		4JG2	4			IN	42.1	117.53	8.0	45°					
8-97080-214-0						EX	35.7	117.53	8.0	45°					
8-97131-729-0															
8-97118-767-1															
8-97043-861-0															
8-97065-970-0															
8-94118-767-0															
8-94171-291-0		4JC1	4			IN	38.0	118.70	8.0	45°					
8-94171-292-0						EX	32.0	118.70	8.0	45°					
1-12551-005-0	76-	8PA1	V8	DIESEL TRUCK	SKS, SKW, SVZ	IN	48.0	159.0	10.0	45°	d	7-1			
1-12551-005-1	74-	10PA1	V10	DIESEL TRUCK, DIESEL TRUCTOR	SRG, SRK, SRM, SRZ, CRA VTR, VTZ, WR, WZ										
9-89930-820-0															
1-12551-030-3															
1-12551-030-1															
1-12551-030-0	76-	12PA1	V12	DIESEL TRUCK	CVR, CXM, CXG, CXK	EX	46.0	159.0	10.0	45°	d	7-1			
1-12551-030-2															
1-12552-005-0	83-	10PB1	V8	DIESEL TRUCK	CXM, CXH										
1-12552-015-3															
1-12552-015-0	83-	12PB1	V12	DIESEL TRUCK	CXZ										
1-12552-015-1															
1-12552-015-2															
1-12552-015-4															
1-12552-026-0	83-	10PC1	V10	DIESEL TRUCK											
1-12551-057-0	81-	6RA1 (6RB2) 6RB1/T	6	TRUCK	SHM, CXM, CXG	IN	46.0	165.5	11.0	60°	d	7-1			
1-12551-129-0	81-			TRUCK, BUS	CXM, CQA, CQM										
1-12551-015-4															
1-12552-028-0								EX	45.0	164.0	11.0	45°		d	7-1
1-12552-013-2															
1-12551-113-0		6RB1	6			IN	44.5	164.25	11.0	60°					
1-12552-053-0		MTC				EX	44.0	164.0	11.0	45°					
9-12551-182-0	70-75	V170	V8	TRUCTOR	TV30ES TV30ZE	IN	49.0	162.0	11.0	60°	d	8			
9-12551-177-0					TV40ZE TV40ZB										
9-12552-244-0					EX	45.0	162.0	11.0	45°	d	8				
8-94250-977-0	85-	4XC1	4	GEMINI1500	JT190/LN	IN	36.0	105.2	7.0	45°	c	7			
8-94151-069-0				I-MARK											
8-94145-949-0		4XE1						EX	31.0	105.2	7.0	45°		c	7
8-94250-978-0															
8-94232-096-0	81-	4ZA1	4	FARGO1600	WFR10	IN	40.4	110.6	8.0	45°	c	2			
8-94251-273-0	81-	4ZB1	4	FARGO1800, ASKA1800	WFR11, JJ110										
8-94214-920-0						EX	34.0	110.2	8.0	45°	c	2			
8-94251-274-0															
8-94136-726-0															
8-94460-637-0															
8-94251-275-0	83-	4ZC1	4	ASKA2000	J J120	IN	42.4	110.6	8.0	45°	c	2			
8-94153-969-0				IMPULSE											
8-94251-276-0		4ZD1				TROOPER		EX	36.0	110.1	8.0	45°		c	2
8-94136-727-0															
8-94441-074-0															
8-97119-751-0															
8-94441-051-0															
8-94251-440-0															

ISUZU

ENGINE VALVE



O.E PART NO.	YEAR	ENGINE MODEL	CYL	VEHICLE		IN EX	DIMENSIONS						REMARKS
				NAME	MODEL		HD	OL	SD	SA	HS	CG	
8-94110-016-3 8-94110-016-0 8-94370-173-1	86-	4EC1	4	GENIMI-DIESEL		IN	35	104.05	7.0	45°	d	7	
8-94110-017-3 8-94110-017-4 8-94110-017-0 8-94115-059-3 8-97037-059-1		4FCI(J)		FARGO		EX	31	103.95	7.0	45°	d	7	
8-94849-132-0 8-94845-133-0						IN EX	31 26	99.5 99.8	6.0 6.0	45° 45°	c d	7 7	
8-94174-222-1 8-94447-025-0 8-94447-026-0 8-94174-223-1	86-	4ZE1 4ZD1	4	TROOPER	UBS16	IN EX	44.2 37.0	108.6 108.2	8.0 8.0	45° 45°	c c	2 2	
5-12551-001-0 5-12552-001-0						IN EX	41.0 35.0	117.0 116.8	8.0 8.0	45° 45°	c c	7 7	
8-14031-328-0 8-14031-332-0	91-92 89-		6 6	TROOPER/RODEO/ PICK-UP V6 AMIGO/TROOPER/ PICK-UP	GM14031328 GM14031332	IN EX	44 36	119.5 120.3	8.7 8.7	45° 45°	c c	15-1 15-1	
8-94130-749-0 8-94153-576-0 8-94118-839-0 8-94153-577-1			4	ELF	D201	IN EX	38.0 32.0	115.8 115.8	8.0 8.0	45° 45°	d d	7 7	
8-94360-140-1 8-94325-529-0 8-94325-529-1	89-92		4	IMPULSE / STYSLUS DOHC TROOPER / RODEO	GM94360140	IN	31.0	101.0	6.0	45°	c	7	
8-97027-499-1 8-97027-092-0 8-97014-174-0 8-97014-174-1	91-	6VD1	6			IN EX	34.0 30.0	114.0 99.4	6.0 6.0	45° 45°	c c	7 7	
8-97015-546-0 8-97015-546-2 GM97015546 8-97015-547-0	91-		6			IN EX	34.0 30.0	99.1 100.5	6.0 6.0	45° 45°	c c	7 7	
9-12551-045-0 9-12552-056-0				ELF	TLG G201	IN EX	42.0 34.0	116.2 116.0	8.0 8.0	45° 45°	c c	7 7	
9-12551-174-0 9-12551-606-0 9-12552-607-0 9-12552-601-0	72-	G180/Z G200 KB G126	4 4	LUV2, 3, 4 FLORIAN GEMINI		IN EX	43.0 33.0	107.5 107.5	8.0 8.0	45° 45°	c c	7 7	
9-12552-128-0			4	ELF	C201/D201	EX	30.0	108.3	8.0	45°	c	7	
1-12551-083-0 1-12551-063-0 1-12551-082-0 1-12551-081-0 1-12551-139-0 1-12552-052-0 1-12552-079-0 1-12552-083-0 1-12552-027-0 1-12552-080-0	84-	6BG1	6	TRUCK	ETR12/FSR12	IN EX	46.0 38	127.8 127.8	9.0 9.0	45° 45°	d d	7 7	

ISUZU

ENGINE VALVE



O.E PART NO.	YEAR	ENGINE MODEL	CYL	VEHICLE		IN EX	DIMENSIONS						REMARKS
				NAME	MODEL		HD	OL	SD	SA	HS	CG	
8-90232-973-0						IN	38.0	101.0	7.0	45°	c	7	
8-90232-977-0						EX	31.0	101.1	7.0	45°	d	7	
8-94450-952-0			4			IN	28.0	104.2	6.0	45°	c	7	
8-94450-953-0				GEMINI, FARGO		EX	32.0	105.2	6.0	45°	c	7	
8-94463-173-0		4FC1 (T)	4			IN	37.0	134.3	8.0	45°	d	7	
8-94463-174-0				GEMINI, FARGO		EX	32.0	134.3	8.0	45°	d	7	
8-94250-977-0						IN	36.0	105.2	7.0	45°	c	7	
8-94151-069-0						EX	31.0	105.1	7.0	45°	c	7	
8-94110-017-4		4FCI(T)	4										
8-94110-017-0													
8-94115-059-3													
8-97037-059-1													
8-94110-017-3													
1-12551-136-1		10PD1	10	TRUCK		IN	50.0	159.2	10.0	45°	d	7-1	
1-12551-136-3					CXH/CXM								
1-12551-127-0					CXZ								
1-12552-097-0		10PE1				EX	46.0	159.4	10.0	45°	d	7-1	
1-12552-064-0													
8-97135-036-1						IN	35	104.1	7.0	45°	c	7	
8-94395-113-1						IN	46.5	140.95	9.0	60°			
8-94395-462-0		6HE1	6			EX	42	140.6	9.0	45°	c	7	
8-97033-864-2	89-	4HF1	4	ELF	KPR59	IN	50.0	140.95	9.0	45°	d	7	
8-94395-112-0		6HF1	6										
8-94367-398-0													
8-97219-509-1		4HK1	4			EX	42.0	140.60	9.0	45°	c	7	
8-97189-114-0													
8-97060-415-0													
8-97019-337-0				TRUCK									
8-94394-160-1		6HH1	6			IN	51	141.03	9.0	45°			
8-97171-398-0						EX	42	140.6	9.0	45°	c	7	
8-94395-462-0		4HF1/4HG1											
8-97171-399-0													
8-94395-881-0		6HH1 24V	6			IN	39.0	130.63	8.0	45°			
8-97209-876-2		6HK1				EX	37.0	130.20	8.0	45°			
8-94395-882-0		6HK1T	6			IN	37.0	130.55	8.0	60°			
8-97209-876-2						EX	37.0	130.20	8.0	45°			
8-94395-883-0													
8-97209-876-0													
1-12551-049-0			6			IN	48	131.9	10.0	45°	c	7-1	
1-12552-063-0				TRUCK		EX	46	131.9	10.0	45°	c	7-1	
1-12551-092-0		6SA1	6			IN	49.0	134.1	10.0	60°	d	7-1	
1-12551-111-1													
1-12551-089-0						IN	48.0	132.0	10.0	45°	c	7-1	
1-12551-089-2													
1-12552-136-0						EX							
1-12552-108-2							46.0	131.93	10.0	45°			
1-12551-158-3		6SD1	6			IN	50.0	131.8	10.0	45°			
1-12551-128-0													
1-12551-126-1						IN	51.0	133.5	10.0	60°			
1-12551-076-0													
1-12552-108-2						EX							
1-12552-050-0							46	131.9	10.0	45°	c	7-1	
1-12552-085-0													
1-12552-063-0													

ISUZU

ENGINE VALVE



O.E PART NO.	YEAR	ENGINE MODEL	CYL	VEHICLE		IN EX	DIMENSIONS						REMARKS	
				NAME	MODEL		HD	OL	SD	SA	HS	CG		
1-12551-161-4		6SD1	6			IN	51.0	133.68	10.0	60°	d	7-1		
1-12551-081-0														
1-12552-099-1								EX	46.5	133.43	10.0	45°	d	7-1
8-94447-218-0	88-	4EEI	4	TROOPER	UBS17	IN	44	108.6	8.0	45°	c	2		
8-94447-026-0						EX	37	108.1	8.0	45°	c	2		
5-12551-033-2	82-	4FA1	4	ELF	NKR58	IN	31	132.3	8.0	45°	d	7		
5-12552-040-2	85-	4FE1	4			EX	26	132.3	8.0	45°	d	7		
8-94178-102-2		4FA-1T	4			IN	31.0	134.25	8.0	45°	d	7		
8-94410-960-2		4FG1/4FE1		EX	26.0	134.30	8.0	45°	d	7				
8-98016-973-0		4JJ1	4			IN	33	107.50	7.0	45°	a	7		
8-98016-974-1				EX	30	107.50	7.0	45°	a	7				
8-94116-930-4		3KC1	4			IN	35.0	100.50	7.0	45°	d	7		
8-94116-931-4				EX	31.0	100.50	7.0	45°	d	7				
8-94149-088-2		3KR1	4			IN	38.0	100.50	7.0	45°	d	7		
5-12552-046-4				EX	34.0	100.50	7.0	45°	d	7				
8-97102-123-1		3LD/LE	3			IN	37.0	95.80	7.0	45°	d	7		
8-97084-894-0														
8-97045-410-3				EX	31.7	95.55	7.0	45°	d	7				
8-97137-154-0		4JX1	4			IN	33.0	98.20	7.0	45°	d	7-1		
8-97137-154-1				EX										
8-97137-155-1				EX	33.0	98.10	7.0	45°	d	7-1				
1-12551-145-2		6WA1TC CXM50	6			IN	43.0	187.70	10.0	60°	d	7-1		
1-12552-095-0				EX	41.0	187.80	10.0	45°	d	7-1				
1-12552-102-0					42.0	187.80	10.0	45°	d	7-1				
1-12551-151-4		6WG1T	6			IN	48.0	187.70	10.0	60°	d	7-1		
1-12551-162-0								48.0	189.13	10.0	60°	d	7-1	
1-12552-109-0				EX	45.0	187.73	10.0	45°	d	7-1				
1-12552-098-0														
1-12552-089-0														
1-12551-162-4		6W1TC CXM50	6			IN	48.0	189.13	10.0	60°	d	7		
1-12552-100-3				EX	46.0	189.23	10.0	45°	d	7				
8-97388-643-1		6UZ1-TC	6			IN								
8-97388-644-0				EX										

MAZDA

ENGINE VALVE



O.E PART NO.	YEAR	ENGINE MODEL	CYL	VEHICLE		IN EX	DIMENSIONS						REMARKS
				NAME	MODEL		HD	OL	SD	SA	HS	CG	
0324-12-111A E301-12-111 E501-12-111	80-	E3	4	FAMILIA1300 323 1300	BD1031	IN	36.0	105.5	8.1	45°	c	7	
0303-12-121A 0303-12-121B 0324-12-121 E301-12-121	80-	E5	4	FAMILIA1400 323 1400 FAMILIA1500 323 1500 808 1300 BONGO, PROCEED	BD1051,BE5 FA4, ST3, FA2, BA2, FA3 BTA67, STB, STL	EX	31.0	103.5	8.1	45°	d	7	
E501-12-121 0488-12-121 8572-12-121 D303-12-121	70-78	TC	4	BONGO, LASER1500	FA5, SS48								
F601-12-111 F601-12-121 F604-12-121 F606-12-121	78-	UT UC	4				31.0	103.5	8.1	45°	c	7	
F601-12-111	82	F6	4	CAPRLLA1600(626)	GC6	IN	41.0	111.8	8.1	45°	c	7	
F601-12-121 F604-12-121 F606-12-121				TELSTAR1600		EX	34.0	111.8	8.1	45°	c	7	
F801-12-111 F801-12-121	82	F8	4	CAPELLA1800, BONGO1800	GC8, SS88	IN	44.0	111.9	8.1	45°	c	7	
F804-12-121	82	FE	4	CAPELLA2000, LUC2000 BONGO B2000 B2200 COSMO, SPECTRON,	GCE, HBE, SRE9	EX	36.0	111.7	8.1	45°	c	7	
SE01-12-111 SE01-12-121 SE70-12-121	77	HA	4	TITAN3000, E3000, T3000 PARK WAY	TA3, WEW, WEF WEY, WV L	IN EX	45.0 37.5	114.5 114.7	9.0 9.0	45° 60°	c c	7 7	
0290-12-111 0290-12-111A 0290-12-111B 0290-12-111C 0453-23-255 D27Z-6507A	77 70 69	MA NA VB	4	CAPELLA2000, LUC2000 929 2000, 626, 2000 T2000, B2000 CAPELLA1600 (808, 626, 616) PROCEED, BONGO1600 B1600, E1600	CE3, HBP, LA4/7 HBS, CB2 BA2, BNA61, PE2, SN3, SN4, SNA SVA, SVE, EVB, EVH, CBZ LA3, SUB, EUG	IN EX	42.0 33.0	108.6 107.1	8.1 8.1	45° 45°	c d	7 7	
0290-12-121 0305-12-121 8173-12-121 D27Z-6505A 0453-23-256 HE19-12-121		VC NA	4	CAPELLA1800, LUC1800,COSMO (929, 626, 618), COURIER PROCEED1800, B1800, TITAN	BA2, CB1, CB2, CD2, EA2 LA2, SV2, SVC, SVD, SVH, SVK		33.0	107.1	8.1	45°	c	7	
0249-12-111A 0259-12-111 0249-12-121A 0259-12-121	67-79	PB	4	FAMILIA1000, C323 BONGO1000(E1000)	SPA, FPA, FAA, BPA, BPB	IN EX	32.0 27.5	108 98.5	7.0 7.0	45° 45°	d d	37 7	
0317-12-111A 0317-12-121A 0317-12-121B 0483-12-121	70-77	PC	4	FAMILIA PRESTO1000(323)	SPC, FA3	IN EX	35.0 30.0	106.0 103.0	8.1 8.1	45° 45°	c d	7 7	
RF01-12-111 RF01-12-121 RF01-12-121B	83- 83-	R2 RF	4	BONG02200, E2200 CAPELLA2000, BONG02000 SPECTRON	SPZA GCF, SSF8,SRE9	IN EX	41.0 36.0	107.0 106.8	8.0 8.0	45° 45°	c c	7 7	

MAZDA

ENGINE VALVE



O.E PART NO.	YEAR	ENGINE MODEL	CYL	VEHICLE		IN EX	DIMENSIONS						REMARKS
				NAME	MODEL		HD	OL	SD	SA	HS	CG	
0636-12-111	79	S2	4	LUCE2200, BONG02200	LA4, HBP, BA2	IN	40.5	114.5	8.0	45°	d	7	
0636-12-121	67	XA	4	E2200, B2200, PARKWAY	AEV, AEX, EXA12, 32, 35	EX	35.0	114.5	8.0	45°	d	7	
	72	ZB	6	BOXER2500, E2500, TITAN2500, T2500	EXA12, 42, 43, EXC12, 13 EXR15, EYA14, TA13, WE5A WEWO51		36.0	114.5	8.0	60°			
0527-12-121	81- 78-	BA XB HA S-2	4	TITAN4100, T4100 E2700	EXA45, EYA44, EYA44, 74, EZA14, 45, 75, EZB14, 45, 74, WE11, 17 WEX11, WEY011,	EX	36.0	114.5	8.0	60°	d	7	
1304-12-111	76-80	XC	4	TITAN3700 BOXER3700	TA2 EYA14/44/74, D701	IN	44.2	122.8	9.5	45°	d	7	
1304-12-121	69-74 75-80	YA ZC	6 6	BOXER5500	EZC74/75, EZD75 EZC14, 24, 25, 54	EX	37.4	122.7	9.5	45°	d	7	
0268-12-111	68-74	TA	4	FAMILIA1200(323)	BTA55 / 65, STA	IN	34.0	107.9	7.0	45°	c	7	
0268-12-121	68-74	TB				EX	29.0	98.7	7.0	45°	d	7	
0107-12-111	60-71	UA	4	PROCEED1500, CRAFT1500	BUG61, DUC9	IN	37.5	114.4	9.0	60°	d	7	
0107-12-121						EX	30.0	115.0	9.0	45°	d	7	
0552-12-111	71-79	VA	4	TITAN2000, T2000 PARKWAY, E2000	TVA8 / 10 / 32, CVH EVG, EVB, EVB43, EVK15, AEV	IN	39.5	112.5	8.1	45°	c	7	
0552-12-121						EX	30.0	112.5	8.1	45°	d	7	
B630-12-111	86-87	B5	4	CAPELLA ETUDE		IN	38.0	103.8	7.0	45°	c	7	
B630-12-121	89-	B6	4	FAMILIA(323)		EX	32.0	102.8	7.0	45°	c	7	
SL01-12-111	89-	HA HA35	4	TITAN	T3500	IN	45.5	114.6	9.0	45°	c	7	
SL01-12-121						EX	38.3	114.5	9.0	60°	c	7	
SL70-12-121													
SLA1-12-121													
E5D3-12-111	89-	E3	4	FAMILIA(323)		IN	36.0	108.5	8.1	45°	c	7	
E358-12-121	89-	E5	4	LASER		EX	31.0	106.5	8.1	45°	c	7	
E5D3-12-121													
AM15-12-1110		AM	4	CAPELLA FORD		IN	31.0	105.2	6.0	45°	c	7	
AM01-12-1210						EX	26.2	105.4	6.0	45°	c	7	
AM15-12-111		AM	4			IN	46.0	108.00	8.0	45°			
AM15-12-121						EX	38.0	106.00	8.0	45°			
E8BZ-6507A						IN	32.0	105.3	7.0	45°	c	7	
E8BZ-6505A						EX	28.0	102.8	7.0	45°	d	7	
F201-12-111		F2	4	FORD PROBE		IN	32.5	115.8	7.0	45°	c	7	
F202-12-111													
F201-12-121A				CAPELLA(626)		EX	34.0	116.2	7.0	45°	c	7	
F210-12-121B				LUCE(929)									
B695-12-111	89- 89-	B5 B6	4 4	FAMILIA(323) LASER W/BURBO		IN	31.0	105.2	6.0	45°	c	7	
B6S7-12-111													
B695-12-121B						EX	26.2	105.4	6.0	45°	c	7	
B690-12-121B													
B690-12-121C				FORD									

MAZDA

ENGINE VALVE



O.E PART NO.	YEAR	ENGINE MODEL	CYL	VEHICLE		IN EX	DIMENSIONS						REMARKS			
				NAME	MODEL		HD	OL	SD	SA	HS	CG				
E7GZ-6507A						IN	38.0	103.7	7.0	45°	c	7				
E7GZ-6505A						EX	32.0	102.6	7.0	45°	c	7				
JE01-12-111	90-	JE	6	LUCE		IN	33.0	121.3	7.0	45°	c	7				
JE06-12-111																
JE06-12-121A						EX	38.0	122.7	8.0	45°	c	7				
JE01-12-121																
2783-12-111						IN	32.0	108.0	7.0	45°	c	7				
2783-12-121						EX	27.5	98.5	7.0	45°	d	7				
B541-12-111	89-	B6	4	FAMILIA(323)	MX3	IN	29.5	104.0	6.0	45°	c	7				
B541-12-121				EX		23.5	105.0	6.0	45°	c	7					
B62A-12-121																
BP01-12-111	89-	金全壘打16V CT1.8	4	CAPELLA/TELSTER(SOHC)		IN	30.0	101.8	6.0	45°	c	7				
BP01-12-121						EX	25.0	103	6.0	45°	c	7				
BP05-12-111	89-	BP 1.8	4	PROTEGE(DOHC)		IN	33.0	101.34	6.0	45°	c	7				
BP05-12-121A																
B301-12-121				EX		28.0	101.60	6.0	45°	c	7					
G601-12-111	89-	G6	4		MPV/B2600	IN	33.3	112.5	7.0	45°	c	7				
G601-12-121						EX	36.0	113.9	7.0	45°	c	7				
G602-12-121																
E6DZ-6507A				FORD		IN	42.2	117.2	8.0	45°	c	11				
E6DZ-6505A						EX	34.8	117.2	8.0	45°	c	11				
E7FZ-6507A				FORD		IN	39.0	136.7	8.1	45°	c	11				
E7FZ-6505D						EX	34.0	133.9	8.0	45°	d	11				
FOCZ-6507A				FORD		IN	33.0	102.0	6.0	45°	c	7				
FOCZ-6505A						EX	28.0	101.5	6.0	45°	c	7				
F3CZ-6505A																
E92Z-6505A				FORD		IN										
						EX	34.0	116.3	7.0	45°	c	7				
FS01-12-111B		FS1.8/FS2.0				IN	31.5	90.0	6.0	45°	c	7				
FS01-12-121B						EX	27.5	90.0	6.0	45°	c	7				
FS05-12-121A																
0222-12-111	1500	UB UC	4	FAMILIA(323)		IN										
0222-12-121						EX										
PN11-12-111		PN				IN	36.0	101.5	7.0	45°	c	7				
PN11-12-121						EX	32.0	101.5	7.0	45°	c	7				
PN20-12-121																
ZZM3-12-111						IN	44.0	121.0	7.0	45°	c	11				
ZZM3-12-121						EX	38.0	122.0	7.0	45°	c	11				
Z501-12-111		Z5				IN	27.6	92.3	5.5	45°	c	7				
E502-12-111																
Z501-12-121						EX	24.0	92.7	5.5	45°	c	7				
E502-12-121																
JE26-12-111		JE48/74/75				IN	34.7	115.2	6.0	45°	c	7				
JE26-12-121						EX	31.0	120.7	6.0	45°	c	7				
KL01-12-111A/B		KF/KL 24V				IN	32.0	94.2	6.0	45°	c	7				
KL01-12-121A						EX	27.5	95.0	6.0	45°	c	7				
KF01-12-111A		K8				IN	28.5	94.2	6.0	45°	c	7				
K801-12-121						EX	23.1	95.2	6.0	45°	c	7				
B3C7-12-111A		BA/B3C7/B 3D2(16V) /CT1.3 (92年長期)				IN	25.5	108.3	6.0	45°	c	7				
B3D2-12-121A						EX	21.5	109.4	6.0	45°	c	7				
ZZL0-12-111						IN	43.5	104.0	8.1	45°	c	3				
ZZL0-12-121						EX	34.5	104.0	8.1	45°	c	11				

MAZDA

ENGINE VALVE



O.E PART NO.	YEAR	ENGINE MODEL	CYL	VEHICLE		IN EX	DIMENSIONS						REMARKS		
				NAME	MODEL		HD	OL	SD	SA	HS	CG			
ZZM0-12-111						IN	44.0	121.7	8.7	45°	c	33			
ZZM0-12-121						EX	38.0	112.1	8.7	45°	c	23			
ZZM1-12-111						IN	42.2	117.2	8.0	45°	c	11			
ZZM1-12-121						EX	34.8	117.2	8.0	45°	c	11			
B660-12-111	89-	B1 B3	4	FAMILIA(323)		IN	31.0	105.3	6.0	45°	c	7			
B660-12-121				LASER		EX	26.1	105.4	6.0	45°	c	7			
S501-12-111	89-	XA	4	T2500		IN	40.5	114.6	9.0	45°	d	7			
S501-12-121						EX	36.0	114.6	9.0	60°	c	7			
S535-12-121							36.0	114.6	9.0	60°	d	7			
KJ01-12-111		MS2.3L N6 95"~98"				IN	28.5	108.1	6.0	45°	c	7			
KJ01-12-121A						EX	24.2	108.1	6.0	45°	c	7			
WL01-12-111	96-	WL	4	E2500,B2500		IN	32.7	111.8	7.0	45°	d	7			
WL51-12-111															
WL01-12-121						EX	35.6	111.8	7.0	45°	d	7			
WL51-12-121															
B301-12-111	90-	B3	4	323,LASER		IN	32.7	111.8	7.0	45°	c	7			
B301-12-121						EX	28.0	104.3	7.0	45°	c	7			
B308-12-111		B3	4			IN	33.0	105.40	7.0	45°					
B313-12-121						EX	28.0	104.20	7.0	45°					
TF20-12-111	89-	TF	4	T4000		IN	47.0	119.8	9.0	45°	c	7			
TF20-12-121					E4000		EX	41.0	119.2	9.0	60°	c	7		
B366-12-111		金全疊打16V CT1.3	4			IN	25.5	103.9	6.0	45°	c	7			
B366-12-121						EX	21.5	105.0	6.0	45°					
B384-12-121							21.5	105.0	6.0	45°	c	7			
ZL01-12-111		TIERRA 1.6	4			IN	29.1	91.0	6.0	45°	c	7			
ZL01-12-121						EX	25.9	90.5	6.0	45°	c	7			
WE01-12-111		WL-BT50	4			IN	31.0	112	6.0	45°	c	7			
WE01-12-121						EX	28.0	111.9	6.0	45°	c	7			
ZY01-12-111B		ZY	4			IN	29.25	97.25	5.5	45°	d	7			
ZY01-12-121B						EX	26.0	96.7	5.5	45°	d	7			
ZL02-12-111			4			IN	29.2	91	6.0	60°	d	7			
ZL02-12-121						EX	26.0	90.5	6.0	45°	d	7			
U202-12-111A			4			IN	30.0	122	7.0	45°	c	11			
U202-12-121A						EX	25.8	121.8	7.0	45°	c	11			
1S4G6507BB			4			IN	28.0	99.4	6.0	45°	c	11			
1S6G6505BA						EX	24.0	101.5	6.0	45°	c	11			
1S7G6507D7F			4			IN	32.5	5.5	103.4	45°	c	7			
1S7G6505D7F						EX	28	5.5	104.7	45°	c	7			
LF01-12-111			4			IN	35.0	103.5	4.5	45°	d	7			
LF02-12-121F						EX	30	104.8	5.5	45°	d	7			
		TD95	4			IN									
						EX									

mitsubishi

ENGINE VALVE



O.E PART NO.	YEAR	ENGINE MODEL	CYL	VEHICLE		IN EX	DIMENSIONS						REMARKS					
				NAME	MODEL		HD	OL	SD	SA	HS	CG						
ME011244	78- 79- 78- 73- 72-	4D30	4	CANTER, ROSA	FE, BE, BH	IN	44.0	137.2	9.0	45°	c	3						
ME011265																		
ME013810		4D31		TRUCK, BUS	~B,MR. FK	EX	37.0	137.2	9.0	45°	c	3						
ME029006																		
ME029295		6D31T		6	6	6	6	6	6	6	6	6						
ME011245																		
ME013832		6DS7		6	6	6	6	6	6	6	6	6						
ME013834																		
ME011266		6		6	6	6	6	6	6	6	6	6						
ME029007																		
ME023882	6	6	6	6	6	6	6	6	6	6								
ME024011																		
ME011265		4D30A	4	CANTER	FE100, 101, 111, 120, 4D53 / 54 / 55	IN	44.0	137.0	9.0	45°	d	3						
ME013810		4D32																
ME011266		4D31A												EX	37.0	137.0	9.0	45°
MD050552	80-80 80-	4D55	4	GALANT2300, DELICA2300	A167	IN	40.0	136.5	8.0	45°	d	3						
MD050100														PAJERO, RAM50, MONTERO	L028/038/043/048/06 8			
MD050543				L200/300, CANTER	FB433	EX	34.0	136.5	8.0	45°	d	3						
MD050101																		
MD083661		4D55	4			IN	40.0	136.5	8.0	45°								
MD083657																		
MD083662														EX	34.0	136.5	8.0	45°
MD083659																		
MD198403		4D56	4			IN	40.0	130.15	8.0	45°	d	19						
MD198404																		
MD373236																		
MD321272																		
22211-42520																		
MD198405		4D56T	4			EX	34	129.85	8.0	45°	d	19						
MD198406																		
MD373237																		
22212-42520																		
MD321271														4D55-				IN
MD321273	EX	34	129.8	8.0	45°													
MN176597		4D56	4			IN	31.5	107.6	6.0	45	d	7						
MN176598														EX	27.5	108.0	6.0	45
ME031297	74-80 74- 74- 75-	6D10	6	TRUCK, BUS	FK, FM, T, BK, MK, MM FD	IN	47.0	137.0	9.0	45°	d	3						
ME031014																		
ME013863		6D11		6	TRUCK	FK415	EX	40.0	137.0	9.0	45°	d		3				
ME031938																		
ME031154		6D14(T)		6	6	6	6	6	6	6	6	6		6				
ME300285																		
ME031015		4D33		6	6	6	6	6	6	6	6	6		6				
ME013833																		
ME031940																		
ME031937		79-		6D15/16	6	TRUCK, BUS	FK, FM, MK, MM	IN	49.0	137.0	9.0	45°		c	3			
ME031557																		
ME031939	4D/6D33		6	6		6	6	EX	42.0	137.0	9.0	45°	c	3				
ME220218																		
ME031558																		

mitsubishi

ENGINE VALVE



O.E PART NO.	YEAR	ENGINE MODEL	CYL	VEHICLE		IN EX	DIMENSIONS						REMARKS
				NAME	MODEL		HD	OL	SD	SA	HS	CG	
ME051063 ME051585 ME051696 ME051698 30904-00302 30904-00401	75- 67- 80- 79-	6D20 6D21	6 6	TRUCK, BUS	FR FT, FU, MP, FS, FN, K	IN	55.0	174.7	12.0	45°	c	3	
ME051064 ME051567 ME051697 31104-01103 31204-05103 31204-70200 31204-71100 31204-71200 31204-71101	78- 79-	6D22 6D22T 6D22TC 6D50 6D60	6 6			EX	50.0	175.0	12.0	45°	c	3	
MD070767 MD070768 MD070769 MD072481 MD080778	84-	4D6 4D65 6D22	4 4 6	COLT / LANCER GALANT SPACE WAGON MIRAGE	C14A / 54A / 64A E14 / 34 / D09W	IN EX	36.0 32.0	118.5 119.0	8.0 8.0	45° 45°	d d	7 7	
30004-23101 30004-23103 30004-31101 30004-31103 30004-31201 30004-35101 30004-35103	65-77	6DB1 6DB6 8DB	6 6 8	TRUCK, BUS	R, W, B, MR	IN EX	53.0 45.0	176.5 176.5	12.0 12.0	45° 45°	d d	3 3	
ME061546 31204-70101 31204-70201 31204-01203 ME051064 ME051567 ME051697 31204-71100 31204-71101 31204-05103	67-77 67-80 72-	6DC 8DC2 10DC	6 V8 6	TRUCK, BUS	FP, FR, FT, FU, FV, W, T, NV, B, MS	IN EX	62.0 50.0	174.7 175.0	12.0 12.0	45° 45°	d c	3 3	
31104-00101 ME061546 31204-01201 31204-01203 31204-70101 31204-70201 31104-01102 31104-01103 31104-01105 31204-71101 31204-70200 ME051064	68- 68-73	6DC2/ 40/ 60/80/ 90 8DC2 80 10DC60	6 V8 8 10 VI0	FUSO DIESEL TRUCK	T800 / 982,B B800 / 905	IN EX	62.0 50.0	174.7 175.0	12.0 12.0	45° 45°	d d	3 3	

MITSUBISHI

ENGINE VALVE



O.E PART NO.	YEAR	ENGINE MODEL	CYL	VEHICLE		IN EX	DIMENSIONS						REMARKS			
				NAME	MODEL		HD	OL	SD	SA	HS	CG				
ME061545	76-80	8DC7	V8	TRUCK, BUS	FS,FT, FU,FV, T, NV	IN	59.0	174.7	12.0	45°	c	3				
ME091558 31204-30200 31101-00401	76-	8DC8	8		B.MS									EX	53.0	175.0
ME061547 ME061546 ME062885 31101-00501 ME065581 ME065587	73- 76-		8													
ME091559 ME090389 ME090551 31204-31200	79- 72-	10BC	V10 8													
ME001142	70-	4DR	4	JEEP, ROSA, CANTER, FORK	J, Bi BH, T, FD,FB,FE	IN	41.0	124.0	8.0	45°	c	2				
ME001114/5 ME001105 ME001663 31604-03100 31304-00100 31304-00102	73- 62- 63-	4DR5	4 4	TRUCK JUPITER, ROSA											EX	32.0
ME001143 MD001538 ME001116 31304-00101 31304-01101 31304-01103	70- 68-	6DR5	6 4													
ME020236	65-	6DS1	6	TRUCK	T620/630/650/663	IN	46.0	137.0	9.0	45°	d	3				
ME024010 ME024205 ME023881 39804-00100 30804-00100	61- 69-	6DS5	6	BUS												EX
ME013832 ME013834 ME021039 ME023882 ME023643 30804-01101 30804-01100	65- 73- 72-	6DS3 6DS7 4D30= 32 4D34T1	6 6													
MD016460	77-	G11	4	LANCER, F 1 ORE ,MI RAGE 1200	A141/148/151/155/17	IN	34.0	102.1	6.6	45°	c	7				
MD003787 22211-21000 22211-21010	78-	G12		LANCER,CELESTE,F 10RE	A142/149/152/156/17 2											
MD016461	83-	G13	4	MIRAGE, TERDIA1400, LANCER, FIORE,MIRAGE1300	C11											
MD003788 22212-21304 22212-21000	83-	G15		LANCER, FIORE,MIRAGE1500 COLT	C12											

mitsubishi

ENGINE VALVE



O.E PART NO.	YEAR	ENGINE MODEL	CYL	VEHICLE		IN EX	DIMENSIONS						REMARKS
				NAME	MODEL		HD	OL	SD	SA	HS	CG	
MD000480	75-	4G32/ 11	4	GALANT, LANCER,CELESTE	A53-212,L021-036	IN	38.0	106.0	8.0	45°	c	3	
MD002480	77-78	4G33/ 30		CORDIA,TREDIA,MIR AGE 1600									
MD064871				ARROW									
K491565				GALANT, LANCER,CELESTE	A54/62/72/143,L031/036								
MD000481	72-77	4G35	4	DELICAT1400,FORK, COLT	FG10/15	EX	31.0	102.5	8.0	45°	d	3	
MD002481	75-78	4G36		LANCER,GALANT1700	A55								
MD003788				LANCER,,JUPITER	A75.T22/25								
MD007781													
MD007783													
K491566													
MD010480	71-79	4G41	4	GALANT, DELICAT1400(L300),	A61, T120/121, FG14/15	IN	37.0	100.5	8.0	45°	c	2	
MD010481	73-77	4G42	4	FORK, LANCER1200	A71	EX	29.0	100.5	8.0	45°	d	2	
MD020580	73-78	4G51/ 50	4	GALANT1850	AI14 / 122 / 132	IN	43.0	112.76	8.0	45°	c	3	
MD024523				GALANT, NEWGALANT, CELESTE	A57 / 115/123 / 133 / 146		43.0	112.8	8.0	45°	c	7	
MD040791	73-	4G52	4	FORTE2000, JEEP, CANTER	J46 / 58 / 59, T206 / 216, L022	EX	35.0	111.6	8.0	45°	c	3	
MD020581													
MD020583													
MD020586													
MD020587													
MD020588				JEEP, ROSA, CANTER, FORK	J26 / 38 / 46 / 56, B207 / 217								
MD040539	75-80	4G53	4		T217, FG30								
MD020589	80-	4G62											
MD024586		4G63											
MD024518	76-	4G54	4	DEBONAIR, GALANT2600	A32 / 33 / 135,	IN	46.0	110.0	8.0	45°	c	3	
MD024638				L200 / CANTER	J27 / 37 / 47 / 57								
MD024519				A165A / K33T /		EX	38.0	108.0	8.0	45°	d	3	
MD024499				JEEP, ARROW, SAPPORO	L023								
MD024548				PAJERO(MONTERO), RAMSO									
MD024639													
MD040791	85-	4G62	4	GALAN, LANCER, CORDIA	A162/175/213, L035, E13	IN	43.0	112.8	8.0	45°	c	7	
MD024523				TREDIA, ETERNA, DELICA1800	D03		43.0	112.8	80	45°	c	3	
MD020586			4	GARAN, ETERNA, STARION	A163/164/168/183, E15A	EX	35.0	111.8	8.0	45°	c	3	
MD020583	85-	4G63		PAJERO2000, ARROW. SPACER WAGON	L026 / 041 / 046								

O.E PART NO.	YEAR	ENGINE MODEL	CYL	VEHICLE		IN EX	DIMENSIONS						REMARKS
				NAME	MODEL		HD	OL	SD	SA	HS	CG	
34404-10100		S4E	4			IN	42.0	133.0	8.0	60°	d	2	
34404-11100						EX	35.0	133.0	8.0	60°	d	2	
33404-10100		12DE				IN	65.0	219.0	13.0	60°	d	7	
33404-11100						EX	60.0	219.0	13.0	45°	d	8	
32004-20102 30100		DH				IN	58.0	199.0	13.0	45°	d	8	
32004-24201 31100						EX	50.0	199.0	13.0	45°	d	8	
MD074628 22211-24504	89-90	2G25/ 4G15B	4	MIRAGE		IN	35.0	101.6	6.6	45°	c	7	
MD074629						EX	31	100.9	6.6	45°			
MD009440	87-89	1600 1800	4	ALL(83-86) / CORDIA, MONTERO,	JET VALVE	JET	7.0	92.53	4.3	45°	a	7	
MD009441	84-	2000		TREDIA,ALL2600CC	AUXILIARY USE								
MD088380	87-89		4	CALANT / MIRAGE / VAN /		JET	7.0	97.53	4.3	45°	a	7	
MD088382				PICK-UP(2000CC)									
MD113238	87-	3G81	3	MINICA	HA14A, 15A, V	IN	30.0	100.6	6.6	45°	c	19	
MD113239		3G82			U14T V 15T V U14TP	EX	26.0	100.8	6.6	45°	c	19	
MD160893	87-	3G83-S4	3	BRAVO	U41V, U42V CM99	IN	25.0	100.3	5.0	45°	c	19	
MD163942						EX	21.0	105.8	5.0	45°	c	19	
MD190101	90-	3G83-D5	3	MINICA	HA22A	IN	19.5	102.3	5.0	45°	c	19	
MD138684						EX	21.5	100.5	5.0	45°	c	19	
MD191605		4A30-S4	3			IN	22.4	100.14	5.0	45°	c	19	
MD193165						EX	19.4	105.4	5.0	45°	c	19	
MD191604		4A30-D5	3			IN	19.5	101.0	5.0	45°	c	19	
MD179171						EX	20.2	101.3	5.0	45°	c	19	
MD160853		4A31	3			IN	25.0	100.3	5.0	45°			
MD163542						EX	20.8	105.7	5.0	45°			
MD128434	91-	4G13	4	PROTONSACA	C21A, C51A	IN	26.0	100.80	6.6	45°	c	7	
MD128435(AU)		4G15	4	MIRAGE			31.0	100.90	6.6	45°	c	7	
MD139755						EX	33.0	101.0	6.6	45°	c	7	
MD149314													
MD128435(AU)	87-	4G15-S3	4	PROTONSAGA	C22A, C52A, C62A, C72A	IN	31.0	100.9	6.6	45°	c	7	
MD149314	88-	4G15/ 13		MIRAGE		EX	33.0	101.0	6.6	45°	c	7	
MD139755													
MD202944		4G15-S3	4	LANCER		IN	27.0	100.8	6.6	45°	c	19	
MD202945		-MVV				EX	32.0	101.0	6.6	45°	c	19	
MD342090		4G13	4			IN	27.0	111.5	5.5	45°			
MD342091						EX	23.5	114.8	5.5	45°			
MD361965													
MD339752		4G15(4V)	4			IN	29.0	111.5	5.5	45°			
MD339754		4G18				EX	25.4	114.8	5.5	45°			

O.E PART NO.	YEAR	ENGINE MODEL	CYL	VEHICLE		IN EX	DIMENSIONS						REMARKS			
				NAME	MODEL		HD	OL	SD	SA	HS	CG				
MD075924	71-77	4G32	4	COLT, GALANT, Z, A53,		IN	38.0	103.5	8.0	45°	c	7				
MD075925	88-	G32	4	A63, A73												
MD075927	70-72	4G33/L300	4	SAPPORO, CELESTE A112, LANCER, MIRAGEA131, A144		EX	31.0	100.0	8.0	45°	d	7				
MD075928	73-78			DELICA(70-)112, E31	E31/32											
	70-86			GALANT	A54, 62, 72, 75, 143											
				LANCER	L031R 36P											
				DELICA	FI0, FG15											
				FORKLIFT F. FG												
MD069806	87-	4G37	4	GALANT	E12 / 32A /A215	IN	42.0	98.2	8.0	45°	c	7				
MD088253	83-	G37B	4	ETERNA	C77 / D05V											
MD080780		4G37-SOG	4	COLT		EX	34.0	95.4	8.0	45°	d	7				
MD069807				SPACE WAGON	E-12											
MD070791				TRAD1A / CORD1A												
MD083848	67-78	4G54	4	STARION, GALANT	A32A	IN	46.0	108.0	8.0	45°	c	7				
MD083849	83-	G54B	4	DEBONAIR	A33A											
MD083850	86-	4G62	4	CANTER	FC312,432	EX	38.0	106.0	8.0	45°	d	7				
MD092999				MONTERO	K33T / L042G / 47G											
MD083851				L200 / 300												
MD094619																
MD070691	80-83	4G62	4	GALANT, Z	A213A	IN	43.0	109.8	8.0	45°	c	7				
MD070692		4G63T	4	SAPPORO, LANCER	A163V											
MD083888				CORDIA	A163, 164	EX	35.0	108.7	8.0	45°	d	7				
MD070693				ETERNA	A123V											
MD070694	78-81															
MD159502	87-	4G63-	4	ETERNA, EMERAUDE	E33A, DOHC , 6F	IN	33.0	112.5	6.0	45°	c	7				
MD185569		MP1	4	GALANT	E39A, DOHC , 6RS FREECA	EX	29.0	114.2	6.0	45°	c	7				
MD197097																
MD199193	82-					4G63										
MD303177																
MD197106																
MD127840	88-	4G63-	4	GALANT	E39A, DOHC	IN	34.0	109.7	6.6	45°	c	7				
MD127847		TC(16V)		CANTER / COLT	E38A											
22211-33000	88-	4G61	4	SONATA		EX	30.5	109.7	6.6	45°	c	7				
22211-33010																
MD127841																
MD127848																
MD130164																
MD184078																
22212-33000																
22212-33010																

MITSUBISHI

ENGINE VALVE



O.E PART NO.	YEAR	ENGINE MODEL	CYL	VEHICLE		IN EX	DIMENSIONS						REMARKS
				NAME	MODEL		HD	OL	SD	SA	HS	CG	
MD085253 22211-32604	89-	4G63	4	DELICA	P04W, 24W	IN	46.0	106.5	8.0	45°	c	7	
MD085254 22212-32604 MD096632	85-	4G64		GALANT MAGMA		EX	38.0	105.1	8.0	45°	d	7	
MD162780 MD162799		4G91	4	MIRAGE	CA3A, CB3A, CC3A, 3D3A	IN	33.0	104.1	6.0	45°	c	19	
MD162781 MD162800				LANCER	ECI	EX	28.0	104.0	6.0	45°	c	19	
MD196745 MD198570 MD197878 MD199615	91-	4G92-	4	MIRAGE	CA4A, CC4A	IN	33.0	115.6	6.0	45°	c	19	
MD199616 MD193033 MD198732		D4				EX	28.0	115.1	6.0	45°	c	19	
		4G93				IN	34.5	104.1	6.0	45°			
						EX	29.5	104.1	6.0	45°			
MD162422 MD162423	91-92	4G92-S4 4G93	4	ETERNA	N11W, 21W E72A	IN	30.0	110.3	6.0	45°	c	7	
MD162616			4	EMERAUDE, GALANT	E52A, 54A, E72A	EX	27.0	113.7	6.0	45°	c	7	
MD094396 MD106093	86-	6G71	4	ETERNA GALANT	V. V6, E17A 6G71 S11A	IN	36	104.8	8.0	45°	c	7	
MD094397 MD106094						EX	31.0	104.1	8.0	45°	d	7	
MD088811 MD301339 22211-35004	86-	6G72- MP1	6	DEBONAIR PAJERO(MONTERO)	V. V6 S12A	IN	43.0	103.0	8.0	45°	c	7	
MD088812 MD096219 MD301340	86-	6G72	6	DIAMANTE/SIGMA	L141 / 146 / Z16 / S22	EX	35.0	102.7	8.0	45°	d	7	
MD135479 MD135481 MD172315		6G72-D4 6G72- D4-TC	6			IN	35.0	106.2	6.6	45°	c	7	
MD135480 MD135482 MD183730			6			EX	30.5	105.3	6.6	45°	c	7	
MD143334 MD165485 MD175527	90-	6G73-D4	6	CHARIOT DIAMANTE	F13A, 15A, 25A	IN	33.0	107.3	6.6	45°	c	19	
MD143335 MD165486 MD173932						EX	28.0	106.1	6.6	45°	c	19	
MD172315 MD168241		6G74- D4/3.0 DOHC	6			IN	35.0	106.4	6.6	45°			
						EX	30.5	105.7	6.6	45°	c	19	

MITSUBISHI

ENGINE VALVE



O.E PART NO.	YEAR	ENGINE MODEL	CYL	VEHICLE		IN EX	DIMENSIONS						REMARKS
				NAME	MODEL		HD	OL	SD	SA	HS	CG	
MD180556	91-	6A10	4	MIRAGE, LANCER	CB6A	IN	28.0	107.7	6.0	45°	c	19	
MD177568						EX	24.0	106.4	6.0	45°	c	19	
MD159744	92-	6A11	4	ETERNA, EMERAUDE GALANT	E53A	IN	27.5	113.1	6.0	45°	c	19	
MD159745						EX	25.0	116.1	6.0	45°	c	19	
MD160947	92-	6A12	4	ETERNA EMERAUDE 4552kol50466	E54A, 64A E84A	IN	31.0	107.0	6.0	45°	c	19	
MD181420						EX	27.0	105.7	6.0	45°	c	19	
MD160948							28.0	104.6	6.0	45°	c	19	
MD160949													
MD312193													
MD173602		4D68	4	lm.k, jm GALANT LIBERO, CARGO	E57ATURBO E77A4WD CB8V	IN	36.0	114.1	8.0	45°	d	19	
MD186756						EX	32.0	113.8	8.0	45°	d	19	
MD173603							32.0	113.8	8.0	45°	d	19	
MD173604													
MD180356													
ME200050		4M40 (E65X)	4			IN	41.0	108.6	8.0	45°	d	19	
ME202687						EX	35.0	108.3	8.0	45°	d	19	
ME201705							35.0	108.3	8.0	45°	d	19	
ME200051													
ME202688													
ME201706													
33704-10102		S6B	6			IN	48.0	180.2	10.0	45°	d	7	
36204-00100						EX	44.0	180.0	10.0	60°	d	7	
36204-21100													
32A04-10100		S4S/S6S	4		TRUCK	IN	44.0	120.0	8.0	60°	d	2	
32A04-11100						EX	35.0	120.0	8.0	60°	d	2	
32A24-01100													
36704-00401		S6F (MTK)	6			IN	44.0	134.0	8.0	60°	d	2	
36704-01601						EX	37.0	134.0	8.0	60°	d	2	
MD006480						IN	41.0	111.1	8.0	45°	c	7	
MD006481						EX	36.0	110.4	8.0	45°	d	3	
MD202944		4G15 -S3-MVV	4			IN	27.0	100.8	6.6	45°	c	19	
MD202945						EX	32.0	101.0	6.6	45°	c	19	
K823311-2		M7				IN	33.0	109.0	8.0	45°	d	3	
K823312-3						EX	30.0	109.0	8.0	45°	d	3	
MD301193		4G63	4			IN	33.0	112.3	6.0	45°	c	19	
MD159502						EX	6G72	6	29.0	114.1	6.0	45°	c
MD306183		29.0	114.1						6.0	45°	c	19	
MD199193													
MD197106													
MD197097													
MD310465													
MD303177													
MD4667807						IN	34.7	111.9	6.0	45°	c	7	
MD4667810						EX	30.5	109.7	6.0	45°	c	7	
MD4667969						IN	34.8	111.8	6.0	45°	c	7	
MD4667972						EX	30.5	109.7	6.6	45°	c	7	
MD212998						IN	31.0	112.4	6.0	45°	c	19	
MD212799						EX	27.0	110.7	6.0	45°	c	19	

MITSUBISHI

ENGINE VALVE



O.E PART NO.	YEAR	ENGINE MODEL	CYL	VEHICLE		IN EX	DIMENSIONS						REMARKS
				NAME	MODEL		HD	OL	SD	SA	HS	CG	
30604-00100	62-	4DQ3	4	3ANTER	T720, T90, T92, T94	IN	40.0	118.0	8.0	45°	c	7	
30604-00102	68-	4DQ5											
30604-01101	68-	4DR1/ 4DQ1/5/7 /11				EX	31.0	118.0	8.0	45°	c	7	
30604-01103													
ME071313		6D17				IN	51.0	137.0	9.0	45°	c	3	
ME170313													
ME071961						EX	44.0	137.0	9.0	45°	c	3	
ME071024		6D17-24V				I/E	40	128	8	45°	a	3	
ME071024													
ME017145		6D15/16 4D33/6D	6			IN	49.0	137.0	9.0	45°	c	3	
ME012557			4			EX	42.0	137.0	9.0	45°	c	3	
ME203101		4M41	4	PAJERO2800 MONTERO3500		IN	33.0	115.4	6.6	45°			
ME203102						EX	31.0	115.4	6.6	45°			
37104-10100	90-	SN(DM)S N2	6			IN							
37104-20100													
37104-31500													
87104-01500						EX	50.0	197.4	10.0	60°	d	7	
87104-11500													
33504-11100							50.0	193.5	10.0	45°	d	7	
ME240460		4M5	8			IN							
ME240461						EX							
ME240748		6M50/60	6			IN	40.0	141.50	8.0	45°	d	7	
ME240461		6M61				EX	36.0	141.50	8.0	45°	d	7	
ME181123		6M70	6			IN	46.0	192.0	10.0	60°	d	7-1	
ME352611						EX	46.0	192.3	10.0	45°	d	7-1	
ME160062		8M20/21 10M21				IN	50.0	185.20	10.0	45°	d	7-1	
ME350711						EX	46.0	185.50	10.0	45°	d	7-1	
ME120788													
ME352614													
ME120529		6D40 8M22	6			IN	46.0	185.20	10.0	45°	d	7-1	
ME350711						EX	46.0	185.50	10.0	45°	d	7-1	
ME120788													
ME352614													
32504-00200		S6A	6			IN	54	180	10	60°	d	7	
32504-11201						EX	50	180	10	60°	d	7	
32504-00200		S6A2 S6A3	6			IN	54	180	10	60°	d	8-1	
32504-11201						EX	50	180	10	60°	d	8-1	
36204-20100		S6B (MTK)	6			IN	48	180	10	60°	d	7	
36204-41101						EX	44	180	10	60°	d	7	
36204-20100		S6B3 (MTK)	6			IN	48	180	10	60°	d	8-1	
36204-41101						EX	44	180	10	60°	d	8-1	
37104-20100		S6N	6			IN	54	197.4	10	60°	d	7	
37104-31501						EX	50	197.4	10	60°	d	7	
37504-30200		S6R	6			IE	57.0	205.0	10.0	60°	d	8-1	
37504-20200													
37504-38400		S6R2	6			IE	52.0	205.0	10.0	60°	d	8-1	
37504-38100													
37504-28400													

NISSAN

ENGINE VALVE



O.E PART NO.	YEAR	ENGINE MODEL	CYL	VEHICLE		IN EX	DIMENSIONS						REMARKS			
				NAME	MODEL		HD	OL	SD	SA	HS	CG				
13201-18000	66-76	A10	4	SUNNY1000, CHERRY1000	B10/20, C10/20, E10	IN	35.0	103.8	8.0	45°	c	2				
13201-H1000	78-			SUNNY1200, CHERRY1200	B110 / 120 / 121 / 122 B210 / 211 / 310 / 311											
13201-H2300				PULSAR1200	F10/11,C20/21/122/12 2N10/11											
13201-H7400																
13202-18000	70-	A12	4			EX	33.0	111.97	8.0	45°	c	2				
13202-H1000																
13202-H2300																
13202-H7400																
13201-19901		A10 /A12	4	OS.0.2mm		IN	35.0	103.8	8.2	45°						
13202-19901	EX					29.0	103.8	8.2	45°							
13201-19902		A10 /A12	4	OS.0.4mm		IN	35.0	103.8	8.4	45°						
13202-19902	EX					29.0	103.8	8.4	45°							
13201-H6200	74-	A14	4	SUNNY1400, CHERRY1400	B210/211/310/312	IN	37.0	103.8	8.0	45°	c	2				
13202-H6200	76-			VIOLET1400, LANGLEY1400	A10/11, F10/11, 120/121	EX	30.0	103.8	8.0	45°	c	2				
13202-H8900				PULSAR1400	710, N10/11											
13201-H9500	~80-83	A15	4	SUNNY1400, CHERRY1400	B11, C120/122, N10/11	IN	35.0	99.8	8.0	45°	c	2				
13202-H9500				DATSUN 1500, PULSAR1500 SUNNY1500	B310, N12	EX	30.0	99.8	8.0	45°	c	2				
13201-D0100	81-	CA16	4	BLUEBIRD1600	U11 T11	IN	38.0	106.7	7.0	45°	c	3				
13201-D1200							EX	35.0	108.0	7.0	45°	c	3			
13202-D0100					STANZA1600, AUSTER1600											
13202-D1200																
13201-51E10	87-89	CA18	4	PULSAR		IN	34.0	89.0	6.0	45°	c	7				
13201-51E00		CA18DE		SUNNY, BLUEBIRD		EX	30.0	116.0	7.0	45°	c	2				
13202-64M10																
13202-64M10																
13201-D0200	81-	CA18	4	BLUEBIRD1800, LAUREL1800	U11 T11, C31, S12, M10	IN	40.0	106.7	7.0	45°	c	3				
13201-D1200					SILVIA1800, AUSTER1800		EX	35.0	108.0	7.0	45°	c	3			
13202-D0100		83-	CA20	4	STANZA1800, PRAIRIE1800	U11 Y30										
13202-D1200							BLUEBIRD2000, GLORIA2000									
13201-D2000	83-	CA18	4	STANZA2000		IN	41.0	107.0	7.0	45°	c	3				
13201-D2200		CA20				4		EX	35.0	108.0	7.0	45°	c	3		
13202-D0100																
13202-D1200																
13201-V5500		CA20	4			IN	40.1	106.7	7.0	45°						
13202-V5500	EX					35.1	108.0	7.0	45°							
13201-17F00	84-	CA18T	4	AUSTER1800, BLUEBIRD1800	U11 S12	IN	41.0	105.7	7.0	45°	c	3				
13202-17F00					LAUREL1800, LAUREL1800		EX	35.1	106.7	7.0	45°	c	3			
13202-18F00					SILVIA1800, STANZA1800											

NISSAN

ENGINE VALVE



O.E PART NO.	YEAR	ENGINE MODEL	CYL	VEHICLE		IN EX	DIMENSIONS						REMARKS
				NAME	MODEL		HD	OL	SD	SA	HS	CG	
13201-17F00 13201-17F01 13202-22F00		CA 18T (EUROP)	4	PULSAR		IN	41.0	105.7	7.0	45°	c	3	
						EX	35.0	107.0	7.0	45°	d	3	
13201-16A00 13201-16A01 13202-16A00 13202-16A01 13202-D2800	83-	CD17/C D17T	4	SENTRA1700, PULSAR1700 (DIESEL)LANGLEY LIBERTA, PULSAR, SUNNY	B11, N12 B12/13 N13	IN	36.0	100.9	7.0	45°	d	3	
						EX	31.0	100.9	7.0	45°	d	3	
13201-31M00 13201-69A00 13202-31M00 13202-69A00	83- 84	CD17 E16	4	SENTRA/PULSAR SUNNY	E16 B11 / 12 / 13 N12/13	IN	37.0	116.7	7.0	45°	c	2	
						EX	30.0	115.50	7.0	45°	c	2	
13201-41M00 13201-41M01 13202-41M00 13202-41M01	82-	E 10 K10	4	SUNNY PULSER, SENTRA	B11/12/13	IN	35.0	119.3	7.0	45°	c	2	
						EX	29.0	118.58	7.0	45°	c	2	
13201-01M00 13201-05M00 13202-01M00 13202-05M00	81- 81-	E13 E15	4 4	SUNNY1300, PULSAR1300 SUNNY1500, PULSAR1500 LANGLEY1500, PRAIRIE1500	B11, N10/12 B11, N10/12, M10	IN	37.0	118.7	7.0	45°	c	2	
						EX	30.0	118.05	7.0	45°	c	2	
13201-15M00 13201-25M00 13202-15M00 13202-25M00 13202-53A00 13202-63A00	81-	E15 (EG1)	4	PULSAR1500 SUNNY1500	N10/12 B12/13	IN	37.0	119.6	7.0	60°	c	2	
						EX	30.0	119.85	7.0	45°	c	2	
13201-25M00 13202-25M00	81-	E15	4	PULSAR1500(EURO PE)	N10 / 12	IN	37.0	119.6	7.0	45°	c	3	
						EX	30.0	119.85	7.0	45°	c	2	
13201-31M00 13201-69A00 13202-31M00 13202-61A00 13202-69A00	83- 84-	E16 CD17	4	SENTRA1600P, PULSAR1600 SUNNY	S11P, N11 B11 / 12 / 13/ N12 / 13	IN	37.0	116.7	7.0	45°	c	2	
						EX	30.0	115.50	7.0	45°	c	2	
13201-78500 13202-78500 13202-S0500	68-	G16 G18	4 4	SKYLINE, LAUREL1600 / 1800	PC10/110, C110, C30/ 130	IN	42.0	116.4	8.0	45°	c	2	
						EX	35.0	117.2	8.0	45°	d	2	
13201-57Y00 13201-57X00 13201-70N00 13202-53Y00 13202-8M100	91-93	GA16E GA16D	4	NWSENTRA	B13/14, N14	IN	29.9	92.25	5.5	45°	c	7	
						EX	24.0	92.6	5.5	45°	c	7	
							24.9	92.62	5.5	45°			
13201-84A00 13201-88A00 13201-77A00 13202-84A00 13202-88A00 13202-87A00	87-89	GA16I FA3	4	SENTRA/PULSAR	B13	IN	29.0	113.5	6.0	45°	c	7	
						EX	32.8	116.27	6.6	45°	c	7	
						EX	32.0	116.27	6.6	45°			

NISSAN

ENGINE VALVE



O.E PART NO.	YEAR	ENGINE MODEL	CYL	VEHICLE		IN EX	DIMENSIONS						REMARKS
				NAME	MODEL		HD	OL	SD	SA	HS	CG	
13201-78200 13201-78203 13201-66700	66-	H20	4	SEDRIC, GLORIA, CABALL	130 / 230 / 330 / 340	IN	42.0	109.2	8.7	45°	c	2	
13201-F1800 13201-61700 13201-P0500 13202-66700 13202-78200 13202-78210	66-75	H30	6	HOMER2000 PRESIDENT3000, FORK	C240, PF20, 41/140, E23 150 / 250, C80, FG006 /007	IN	42.0	110.2	8.7	45°	c	2	
13202-P0500 13202-P5100 13202-F1800						EX	32.0	109.2	8.7	45°	c	2	
13201-78201 13201-F1801 13201-P0501		H20	4	CEDRIC, GLORIA, CABALL		IN	42.0	109.2	8.9	45°	c	2	
13202-78201 13202-P0501 13202-P5101		H30	6	PRESIDENT3000, FORK OS,0.4mm		EX	42.0	111.20	8.9	45°	c	2	
13201-78202 13201-F1802 13201-P0502 13201-P5102		H20	4	CEDRIC, GLORIA, CABALL CABSTAR, JUNIOR, HOMER200		IN	32.0	111.7	8.9	45°	c	2	
13202-78202 13202-P0502 13202-P5102		H30	6	0IS. 0.4mm		EX	32.0	111.7	8.9	45°	c	2	
13201-10600 13201-20600			4	BLUEBIRD, DATSUN TRUCK1300		IN	42.0	112.20	9.1	45°	c	2	
13202-B3900 13202-B5900 13202-08000 13202-09600 13202-10600 13020-20600	65-75	J13			A321 / 521 410/510/520 P 130	EX	42.0	112.20	9.1	45°	c	2	
13201-10610 13202-B5910	72-	J13	4	DATSUN TRUCK1300 BLUEBIRD1300	620	IN	35.2	109.5	8.7	45°	c	5	
13201-73000 13201-B5200 13201-B5100 13201-01W00 13202-B3000 13202-B5000 13202-B5100 13202-B5200 13202-01W00 13202-16700	70-	J15 J16	4 4	DATSUN TRUCK, CABSTAR1500 CARAVAN HOMER1500/1600 DATSUN TRUCK1500/1600	N521, PA321 VE20, VSE20, T20 TE20 520 / 620	IN IN EX	30.5	108.7	8.7	45°	c	5	
							30.0	108.7	8.7	45°	c	2	
							37.9	109.5	8.7	45°	c	5	
							38.0	109.5	8.7	45°	c	5	
							32.0	109.5	8.7	45°	d	5	

NISSAN

ENGINE VALVE



O.E PART NO.	YEAR	ENGINE MODEL	CYL	VEHICLE		IN EX	DIMENSIONS						REMARKS	
				NAME	MODEL		HD	OL	SD	SA	HS	CG		
13201-01W01	70-	J15	4	DATSUN TRUCK, CABSTAR1	321 / 521 / 620, A320 / 321	IN	38.0	109.5	8.7	45°	c	2		
13201-01W03		J16	4	CARAVAN, HOMER1500	E20, F20/01/02, 720 E20/23, 720, F21	EX	32.0	109.5	8.7	45°	d	2		
13202-01W01	72-													
13202-01W03	74													
13202-01W13														
13201-24M00		J16	4			IN	40.0	108.2	8.0	45°				
13202-24M00						EX	35.0	108.2	8.0	45°				
13201-53F01	90-93	KA24DE	4	ALTIMA	240SX, KA24DE	IN	36.6	101.5	7.0	45°	c	7		
13201-53F02														
13202-53F00							EX	31.0	98.8	7.0	45°	c	7	
13202-53F01														
13201-21000	69-75	L13	4	BLUEBIRD1300	510	IN	38.0	117.2	8.0	45°	c	2		
13201-23002	70-77	L14		BLUEBIRD, SUNNY1400	510/710/711									
13201-A3000	66-	L20	6	GEORIC,	BI10 / 210/211	EX	33.0	117.5	8.0	45°	c	2		
13201-A3500		20A		FAIRLADY, LAURWEL2400	130 / 230 / 330 / 430, C10/30/110/130									
13201-A3510	72-	L24		VIOLET1400, LAUREL2000	230/430, S30/31, 610 C10/210/230 C31/32									
13202-21001														
13202-21002														
13202-21003														
13202-23001														
13202-23002														
13202-23003														
13201-23000	67-	L16	4	BLUEBIRD, SKYLINE1600	510/610/710/810/910	IN	42.0	116.5	8.0	45°	c	2		
13201-23003														
13201-N7000		L24E			A10/11, B211, C110/210	EX	35.0	117.5	8.0	45°				
13201-A1100														
13202-21002														
13202-21003														
13202-23001														
13202-23002														
13201-A1100	70-	L18	4	BLUEBIRD, LAUREL, SKYLINE	510/610/720/810 C130/210/230.C10/11	IN	42.0	116.5	8.0	45°	c	2		
13201-N7000			L24		SILVIA1800	620/720/910, R30	EX	35.0	117.5	8.0	45°	c	2	
13202-N6800	74-	L26	6	DATSUN, DATSUN PICKUP2000	230, S30, C130									
13202-N6801				GEORIC, GLORIA, LAUREL2600										
13202-N0400		L20B	6	FAI RLADY260Z										
13202-N0401														
13202-N0411														
13201-N4200	75-	L28	6	CEDRIC, GLORIA, LAUREL2800	330 / 430, S130, C31 / 130 / 230	IN	44.0	116.5	8.0	45°	c	2		
13201-N4201					FAIRLADY280Z	F30, PL330/430 G130	EX	35.0	117.5	8.0	45°	c	2	
13202-N6800														
13202-N6801														
13202-N0400														
13202-N0401														
13202-N0411														
13201-P7900	80-	L28ET	6	FAI RLADY280ZX	S130, 430	IN	44.0	114.2	8.0	45°	c	2		
13201-P7980		L28T	6	CEDRIC		EX	35.0	115.2	8.0	45°	c	2		
13202-07L00														
13202-P7901														

NISSAN

ENGINE VALVE



O.E PART NO.	YEAR	ENGINE MODEL	CYL	VEHICLE		IN EX	DIMENSIONS						REMARKS
				NAME	MODEL		HD	OL	SD	SA	HS	CG	
13201-01B00 13201-10B00 13202-01B00 13202-10B00 13202-Z7001 13202-Z7002	82-	MA10 MA12	4	MARCH MICRA		IN EX	35.0 30.0	109.7 109.2	7.0 7.0	45° 45°	c c	2 2	
13201-EN20B 13201-EN20A 13202-EN20B 13202-EN200		MR20	4			IN EX	33.8 27.6	106.27 105.26	5.5 5.5	45° 45°			
13201-58000 13201-58001 13201-C8000 13201-C8001 13201-C8010 13201-44200 13202-58000 13202-58002 13202-58400 13202-C0600 13202-C8000	59- 80	P40	6	PATROL TRUCK	60 680 160	IN EX	43.0 36.2	131.6 131.6	8.7 8.7	45° 45°	d d	3 3	
13201-61700 13201-12200 13202-61700 13202-12200	64-70 65	R	4	FAIRLADY1600 BLUEBIRD1600 SILVIA1600	N41, SP311, R411	IN EX	42.0 32.0	109.2 109.2	8.7 8.7	45° 45°	c c	2 2	
13201-V5001 13201-VS100 13201-V5010 13201-V6900 13202-V5010 13202-65L00 13202-VS100 13202-V5020	82- 84-	VG20	V6	FAIRLADY Z, CEDRIC V20 GLORIA V30	Z31, Y30	IN EX	38.0 33.0	128.1 127.5	7.0 8.0	45° 45°	c c	3 3-1	
13201-V5202 13201-V5200 13201-1W100 13201-VR200 13202-V5210 13202-V6510 13202-1W900 13202-VR200 13202-1W900 13202-42E00	83-	VG30 RB30	V6	FAIRLADY300Z, CEDRIC V30 GLORIA V30	Z31, Y30	IN EX	42.0 35.0	125.6 124.5	7.0 8.0	45° 45°	c c	3 3-1	
13201-97E00 13202-97E00	92-93	UG30DE	6	MAXIMA DOHC		IN EX	35.0 30.6	110.5 102.7	6.0 6.0	45° 45°	c c	7 7	
13201-21000 13202-21002	70-	Z14	4	SUNNY1400	PB110 / 210	IN EX	38.0 33.0	117.5 117.5	8.0 8.0	45° 45°	c c	2 2	

NISSAN

ENGINE VALVE



O.E PART NO.	YEAR	ENGINE MODEL	CYL	VEHICLE		IN EX	DIMENSIONS						REMARKS					
				NAME	MODEL		HD	OL	SD	SA	HS	CG						
13201-W0401	78-	Z18	4	BLUEBIRD, LAUREL, SILVIA	720/811/910, S110	IN	42.0	126.5	8.0	45°	c	2						
13201-Y8780				STANZA, AUSTER1800,	C30 / 31 / 211 / 231													
13201-W0500	79	Z16	4	GAZELLE	All	EX	38.1	126.4	8.0	45°	c	2						
13201-W7000				DATSUN TRUCK, LEOPARD														
13202-W0401				Z20	PICK UP													
13202-Y8780																		
13201-N8500	79-	Z20	4	LAUREL, SKYLINE, SILVIA	S110, C31/120/211/231	IN	42.0	124.4	8.0	45°	c	2						
13201-N8501				CARAVAN, HOMOY2000	R30, E22 / 23, H40													
13202-N8500	81-	Z22	4	DATSUN TRUCK,	720, H40, W40	EX	38.0	125.4	8.0	45°	c	2						
13202-N8501				CABSTAR2200	720, H40, W40													
13202-N8502	81-	Z24	4	DATSUN TRUCK.CABSTAR2400														
13201-Z5000	75-	ED6	6	GAZELLE, LEOPARD	CM90	IN	47.0	129.5	9.0	60°	d	7						
13201-T9000	80-			ED33	CONDOR, BISON		H40, H341											
13202-Z5000	84-	FD33	4	BUS RM, NEW	RM80, CK86	EX	38.0	130.0	9.0	45°	d	7						
13202-Z5001	77-			FD6	CONDOR													
13202-T9000		PD	6		M40, G341/W40													
13202-T9300				CABALL, CIVILIAN														
13201-01T00		FD35T	6			IN	48.5	129.5	9.0	60°	d	2						
13201-0T000							FD46					48.5		128.95	9.0	60°	d	2
13202-01T00												39.5		130.0	9.0	45°	d	2
13202-01D00																		
13201-17D00																		
13201-J2000	73-82	ED30	4	CIVILIAN, CABALL, CLIPPER	C340/341, T40	IN	45.0	130.0	9.0	60°	d	7						
13201-J2001																		
13202-J2000												EX		36.0	130.0	9.0	45°	d
13202-J2001																		
13201-V0700	80-	LD20	4	BLUEBIRD, LAUREL, SKYLINE	910, C31/20/121/211	IN	39.0	117.0	8.0	45°	c	2						
13201-W3400				HOMY, VANETTE2000	R30, E23													
13202-V0700	81-	LD28	6	CEDRIC, GLORIA, SKYLINE2800	430, C211 R30, Y30	EX	32.0	117.2	8.0	45°	c	2						
13202-W3400							80-											
13201-95000	69-	ND6	6	TRUCK	CK10 / 15, DU780, CG780 UEG780	IN	50.0	143.0	10.0	45°	d	7						
13201-95002																		
13202-95000												EX		41.0	143.0	10.0	45°	d
13202-95002																		
13201-97008		RF8	6	TRUCK		IN	60.0	161.0	10.0	45°	d	7						
13202-97014							RF											
13202-97016		RG	EX					52.0	161.2	12.0	45°	d	7					
13202-97068																		
13202-97009																		

NISSAN

ENGINE VALVE



O.E PART NO.	YEAR	ENGINE MODEL	CYL	VEHICLE		IN EX	DIMENSIONS						REMARKS
				NAME	MODEL		HD	OL	SD	SA	HS	CG	
13201-96008 13201-96009 13201-96500 13201-96501 13202-96005 13202-96006 13202-NC000 13202-96008 13202-96010		PF6T	6	TRUCK KG, KM, KW		IN	57.5	158.5	12.0	60°	d	7	
						EX	54.0	157.5	12.0	45°	d	7	
						EX	54.0	157.5	12.0	45°			
13201-97001 13201-97002 13201-97005 13201-97007 13202-97004 13202-97005	72- 75-	RD8 RD10 ED8 ED10	8 10 8 10			IN	60.0	161.0	10.0	60°	a	7	
						EX	60.0	161.0	10.0	45°	a	7	
						EX	50.0	161.0	12.0	45°	d	7	
13201-97000 13201-97001 13201-97002 13201-97005 13201-97007 13201-97026 13202-97000 13202-97001 13202-97003 13202-97011 13202-97013 13202-97025 13202-97026 13202-97027		RE8 RE10	8 10	TRUCK	'CK66, CW53, 66 C~ CW, WD, WG	IN	60.0	161.0	10.0	45°	d	7	
						IN	60.0	161.0	10.0	60°	a	7	
						IN	60.0	161.0	10.0	45°	d	7	
						EX	50.0	161.0	12.0	45°	d	7-1	
13201-96003 13201-96004 13201-96006 13201-96007 13201-96009 13201-96008 13201-96028 13201-96125 13201-96126 13201-96000 13201-96002 13201-96005 13201-96025 13201-96026 13201-96027 13201-96029 13202-96001 13202-96002 13202-96007 13202-96027 13202-96000 13202-96003 13202-96004 13202-96028 13202-96026	69- 70-	PD6(T) PE6(T) PA6	6 6	TRUCK CD, CK CV, CW, PT PTC, PTI., TK TRUCK CD, CF, CK, CV TF, LW BUS: UM	CD40/41 43, CK20/40 CW40, TK20, PT81 TF30, KK30 / 31 CK30/31, KW30, CV30/31	IN	57.5	158.5	12.0	60°	d	7	
							57.5	158.5	12.0	60°	d	7	
							57.5	157.5	12.0	45°	d	1	
							57.5	157.5	12.0	45°	d	7	
						EX	47.0	158.0	12.0	45°	d	7	
							47.0	158.0	12.0	45°	d	1	
							52.0	157.9	12.0	45°	d	2	

NISSAN

ENGINE VALVE



O.E PART NO.	YEAR	ENGINE MODEL	CYL	VEHICLE		IN EX	DIMENSIONS						REMARKS
				NAME	MODEL		HD	OL	SD	SA	HS	CG	
13201-97000	72-	RD8	8	TRUCK CV, CZ,CW,TW	CV50, 55, 56, CW50, 51, 52	IN	60.0	161.0	10.0	45°	d	7	
13202-97000	75-	RD10 (T)	10	BUS RA, DA, TRUCK WD, WG, CW	CZ50, DA50, RA50, F4 TW50, 51		EX	50.0	161.0	12.0	45°	d	7-1
13202-97001				TRACTOR CW, TRACTOR CD, CW	CWD53								
13201-97010		RH	6			IN	52.0	164.5	10.0	45°			
13202-97069						EX	48.0	164.5	10.0	45°			
13202-97065													
13202-97064													
13202-97019													
13201-37506	68-	SD22	4	JUNIR, CABALL2200	040/41, OC240/141	IN							
13201-37503		SD20	6	CEDRIC DIESEL			EX	38.5	117.0	8.0	45°	d	7
13201-90005													
13201-Y1400													
13202-37503													
13202-76200													
13202-Z7001													
13201-37507		SD22	4	JUNIR, CABALL2200		IN	38.5	117.0	8.2	45°	d	7-1	
13201-90006				CEDRIC DIESEL			EX	38.5	117.0	8.2	45°	d	7
13202-37504													
13202-76201				0/S. 0.2mm			32.5	117.0	8.2	45°	d	7-1	
							32.5	117.0	8.2	45°	d	7	
13201-37508		SD22	4	JUNIR, CABALL2200		IN	38.5	117.0	8.4	45°	d	7-1	
13201-90007				CEDRIC DIESEL			EX	38.5	117.0	8.4	45°	d	7
13202-37505													
13202-76202				0/S. 0.4mm			32.5	117.0	8.4	45°	d	7-1	
							32.5	117.0	8.4	45°	d	7	
13201-Y5200	63-	SD22	4	CEDRIC, CARVAN, CABALL	330/430/652/651/630/ 720	IN	38.0	117.0	8.0	45°	d	7	
13202-Y5200		SD23	4	HOMER, JUNIOR, CARVAN	E20/21/23, C1402 240, F20		EX	32.0	117.0	8.0	45°	d	7
13202-C8700	66-	SD33	6	DATSUN, TRUCK2200									
13202-Z7002				SAFAR1, ATLAS	160/161, C80, H40								
13201-Y5201		SD22	4	CEDRIC, CARVAN, CABALL	330/430/652/651/630/ 720	IN	38.0	117.0	8.2	45°	d	7	
13202-Y5201		SD33	6	HOMER, JUNIOR, CARVAN	E20/21/23, C1402 240, F20		EX	32.0	117.0	8.2	45°	d	7
13202-C8701				DATSUN, TRUCK2200									
				SPFAR1, ATLAS	160/161, C80, H40								
				0/S. 0.2mm									
13201-Y5202		SD22	4	CEDRIC, CARVAN, CABALL	330/430/652/651/630/ 720	IN	38.0	117.0	8.4	45°	d	7	
13202-Y5202		SD33	6	HOMER, JUN10R, CARVAN	E20/21/23, C1402 240, F20		EX	32.0	117.0	8.4	45°	d	7
13202-C8702				DATSUN, TRUCK2200									
				SPFAR1, ATLAS	160/161, C80, H40								
				0IS. 0.4mm									
13201-L2000	83-	SD23	4	HOMY, DATSUN, TRUCK2	720, E23, F22	IN	40.0	117.0	8.0	45°	d	7	
13201-02N00		SD25		ATLAS	F22, H40		EX	34.0	117.0	8.0	45°	d	7
13202-L2000		SD27	6	ATLAS									
		TD27											

NISSAN

ENGINE VALVE



O.E PART NO.	YEAR	ENGINE MODEL	CYL	VEHICLE		IN EX	DIMENSIONS						REMARKS
				NAME	MODEL		HD	OL	SD	SA	HS	CG	
13201-L2001		SD23	4	HOMY, DATSUN, TRUCK2		IN	40.0	117.0	8.2	45°	d	7	
13202-L2001		SD25	6	ATLAS 0IS. 0.2mm DIESEL		EX	34.0	117.0	8.2	45°	d	7	
13201-90000	63-74	UD3	4		TC, TE T% TW	EX	41.0	164.0	10.0	60°	d	2	
13201-90004		UD4		TRUCK, BUS	U, DU, UDG, UEG,		35.0	142.6	8.0	60°	d	7	
13201-90013		UD5	5		UG								
13201-90008	63-73	UD6	6	DIESEL, TRUCK, BUS	TVC, TW, TWC	IN							
13201-90010						EX							
13201-55M01		CA16E	4	STANZA, BLUEBIRD	B12, N13	IN	31.0	89.2	6.0	45°	c	7	
13201-55M10													
13201-64M10	87-	CA16DE	4	SUNNY, PULSAR									
13202-64M00							28.0	89.3	6.0	45°	d	7	
13202-64M01							30.0	116.0	7.0	45°	c	2	
13202-64M10						EX							
13202-D4200													
13202-D4201													
13202-D4210													
13201-40F00		KA24E	4	PRAIRIE		IN	34.0	121.3	7.0	45°	c	7	
13201-10C00													
13202-40F01						EX	40.0	122.2	8.0	45°	c	7-1	
13202-40F00													
13201-44G00		TD25	4	CONDOR		IN	41.5	117.0	8.0	45°	d	7	
13202-44G00		BD30				EX	37.0	117.0	8.0	45°	d	7	
13201-02N00B		BD25	4			IN	40.0	117.0	8.0	45°			
13202-87G01B						EX	37.0	117.0	8.0	45°			
13201-02N00		TD23	4	TRUCK CD, CV, CW, LW		IN	40.0	117.0	8.0	45°	d	7	
13202-02N01			6			EX	35.0	117.0	8.0	45°	d	7	
13201-03J10	88-	TB42	6	PATROL Y60		IN	47.0	118.2	8.0	45°	c	2	
13202-03J00						EX	24.0	119.0	8.0	45°	d	2	
13201-12201						IN	42.0	109.2	8.9	45°	c	2	
13201-12202							42.0	109.2	9.1	45°	c	2	
13202-12201						EX	32.0	109.2	8.9	45°	c	3	
13202-12202													
13201-25500						IN	46.0	120.7	8.7	45°	c	2	
13202-25500						EX	36.0	120.8	8.7	45°	c	2	
13201-29900						IN	39.0	115.4	8.0	45°	c	7	
13202-29900						EX	34.0	116.2	8.0	45°	d	2	
13201-37500						IN	38.5	117.0	8.0	45°	d	3	
13201-37502							38.5	117.0	8.2	45°	d	3	
13201-37503							38.5	117.0	8.4	45°	d	3	
13202-37500						EX	32.5	117.0	8.0	45°	d	3	
13202-37501							32.5	117.0	8.2	45°	d	3	
13202-37502							32.5	117.0	8.4	45°	d	3	
13201-61701						IN	42.0	109.2	8.9	45°	c	2	
13201-61702							42.0	109.2	9.1	45°	c	2	
13202-61701						EX	32.0	109.2	8.9	45°	c	2	
13202-31702							32.0	109.2	9.1	45°	c	2	

NISSAN

ENGINE VALVE



O.E PART NO.	YEAR	ENGINE MODEL	CYL	VEHICLE		IN EX	DIMENSIONS						REMARKS
				NAME	MODEL		HD	OL	SD	SA	HS	CG	
13201-73402						IN	38.0	111.97	8.0	45°	c	2	
13202-73402						EX							
13201-12900						IN	42.0	109.2	8.7	45°	c	2	
13201-14601						IN	42.0	109.2	8.7	45°	c	2	
13201-16700						IN	37.9	109.5	8.7	45°	c	5	
13201-E6603						IN	43.0	117.2	8.0	45°	c	2	
13201-Z5501		FE6	6			IN	48.5	130.6	9.0	60°	d	7	
13201-Z5507		FE6A											
13201-Z5505													
13202-Z5502						EX	39.7	130.9	9.0	45°	d	7	
13202-Z5507													
13202-Z5506													
13202-Z5510													
13201-Z5508		FE6E	6			IN	37.0	145.8	8.0	45°			
13201-Z5503													
13201-Z5506													
13202-Z5509						EX	37.0	148.8	8.0	45°			
13202-Z5504													
13202-Z5508													
13201-43G00		TD27	4	CONDOR, PICKUP	D21, WD21, Y60								
13201-43G01		TD42		PATHFIN		IN	43.5	117.0	8.0	45°	d	7	
13201-43100				PATHFINDER									
13202-43G01							38.0	117.0	8.0	45°	d	7	
13202-54T01						EX							
13202-54T00													
13202-31N01													
13201-95005	86-	NE6	6	TRUCK									
13201-95006						IN	52.0	143.0	10.0	45°	d	7	
13201-95002							52.0	143.0	10.0	60°			
13201-95000							50.0	143.0	10.0	45°			
13202-95003						EX	43.0	143.5	10.0	45°	d	7	
13202-95002							41.0	143.0	10.0	45°			
13202-95000													
13201-515G0		NF6	6			IN	52.0	157.60	10.0	30°			
13202-515G0						EX	47.0	157.60	10.0	45°			
13201-55M01		CA16E	4	STANZA		IN	31.0	89.2	6.0	45°	c	7	
13202-D4201				BLUEBIRD			28.0	89.3	6.0	45°	d	7	
13202-D4210						EX							
13201-F6511		VG30DE	6	300ZX		IN	34.0	103.2	6.0	45°	c	7	
13201-30P00													
13201-40P00													
13202-F6511						EX	29.6	103.7	6.0	45°	d	7	
13202-40P00							29.5	103.7	6.0	45°	d	7	
13202-1P660													
13202-30P00													
13201-30P00		VG30	6	300ZX		IN	34.1	103.3	6.0	45°	c	7	
13202-30P00				NON TURBO		EX	29.5	103.7	6.0	45°	d	7	

NISSAN

ENGINE VALVE



O.E PART NO.	YEAR	ENGINE MODEL	CYL	VEHICLE		IN EX	DIMENSIONS						REMARKS				
				NAME	MODEL		HD	OL	SD	SA	HS	CG					
13201-53J00 13201-1E700 13201-1E710 13201-1E760		SR20DE	4	BLUE BIRD PRIMERA		IN	34.0	101.4	6.0	45°	c	7					
13202-64Y00 13202-64Y02 13202-64Y60 13202-53J02	EX						30.0	102.3	6.0	45°	c	7-1					
13202-53J02 13202-53J01								30.0	102.3	7.0	45°						
13201-2J201 13201-2J200 13201-2J202 13201-2J260	EX					34.0	98.40	6.0	45°								
13202-2J201 13202-2J200 13202-3J600 13202-2J260							30.0	99.32	6.0	45°							
13201-47U00 13201-2Y901 13201-2Y900 13201-38U00						VQ30DE	6	MAXIMA CEDRIC		IN	36.0	97.5	6.0	45°	c	7-1	
13202-47U00 13202-AL602 13202-AL600 13202-38U00	EX										31.2	95.10	6.0	45°	c	7-1	
13201-1W400 13201-1WH00 13202-1W400R 13202-6S100 13202-2S600		QD32	4	ATLAS		IN	45.5	117.0	8.0	45°							
	EX					39.0	117.0	8.0	45°								
13201-7M610B 13202-7M610B		QG16				IN	29.9	92.25	5.5	45°	c	7					
	EX					24.9	92.62	5.5	45°	c	7						
13201-73Y00 13201-53Y00 13201-57Y00 13201-70N00 13201-0M600 13202-57Y00 13202-53Y00 13202-0M600	90 90	GA14D GA15D GA16D	4	SUNNY SENTRA B13/14/N14		IN	29.0	92.2	5.5	45°	c	7					
							30.0	92.3	5.5	45°	c	7					
						EX	24.0	92.6	5.5	45°	c	7					
13201-0M200 13202-0M200			4	SENTRA B-15 1.8		IN	30.0	92.2	5.5	45°	c	7					
		EX				25.0	92.6	5.5	45°	c	7						
13201-67U00 13202-67U02						IN	38.0	102.0	7.0	45°	c	19					
						EX	33.0	102.4	8.0	45°	c	7-1					

NISSAN

ENGINE VALVE



O.E PART NO.	YEAR	ENGINE MODEL	CYL	VEHICLE		IN EX	DIMENSIONS						REMARKS				
				NAME	MODEL		HD	OL	SD	SA	HS	CG					
13201-72Y00		GA13				IN	26.5	92.2	5.5	45°	c	7					
13202-72Y00			EX	21.5	92.6	5.5	45°	c	7								
13201-88A00	88	GA14	4	SUNNY		IN	29.0	113.5	6.0	45°	c	7					
13202-88A00	88	GA16	4	SENTRA		EX	33.0	116.3	6.6	45°	c	7					
13202-88A02																	
13202-87A00											32.0	116.2	6.6	45°	c	7-1	
13201-24W00				MAXIMA		IN	40.0	108.1	8.0	45°	c	2					
A4V-9571						EX	35.0	108.3	8.0	45°	c	2					
13202-24W00																	
A4AS-9572																	
13201-4P400		RD28	4			IN	39.0	101.75	7.0	45°	c	2					
13201-40L01																	
13201-0Y000																	
13201-40201										EX	32.0	101.6	7.0	45°	c	2	
13202-4P400																	
13202-40L01																	
13202-40201																	
13201-37900						IN	38.1	122.0	8.0	45°	c	2					
13202-67G00						EX	34.1	123.4	8.0	45°	c	2					
13201-0T100	93-	FD46				IN	48.5	129.5	9.0	60°	d	2					
13202-01T00			EX	39.5	130.0	9.0	45°	d	2								
13201-57J03	85-	CD20	4			IN	39.1	100.8	7.0	45°	c	2					
13202-57J02						EX	32.1	100.6	7.0	45°	c	2					
13201-60J04		CD20	4			IN	39.0	99.75	7.0	45°							
13201-60J02																	
13201-60J01																	
13202-60J02						EX	32.0	99.60	7.0	45°							
13202-60J01																	
13202-7J800																	
13201-VJ200		KA24DE	4			IN	36.5	101.32	7.0	45°							
13201-VJ260																	
13201-9E000						KA20DE	4			EX	31.2	98.82	7.0	45°			
13201-53F02																	
13202-VJ200																	
13202-VJ260																	
13202-9E000																	
13202-53F00																	
13201-4P410		RD28	4			IN	39.0	102.75	7.0	45°	c	2					
13201-V7210																	
13201-V7202											EX	32.0	102.6	7.0	45°	c	2
13202-4P410																	
13202-V7203																	
13202-V7202																	
13202-W5000						IN											
13202-W7000(B)						EX											
13201-08000						IN	42.1	125.8	7.0	45°	c	3					
13202-08000						EX	35.0	124.5	8.0	45°	c	3-1					

NISSAN

ENGINE VALVE



O.E PART NO.	YEAR	ENGINE MODEL	CYL	VEHICLE		IN EX	DIMENSIONS						REMARKS
				NAME	MODEL		HD	OL	SD	SA	HS	CG	
13201-9C600		LD23	4			IN	41.5	118	7.95	37°			
13202-9C600				EX	30.3	98.9	7.0	45°					
13201-ED000		HR15/ 16DE	4			IN	31.0	101.65	5.0	45°			
13201-ED50A													
13202-ED000				EX	25.3	102.46	5.0	45°					
13202-ED50A													
13201-3T900		NA16 NA20	4			IN	38.0	122.0	8.0	45°			
13201-27T00													
13201-85G00													
13202-67G00				EX	34.0	123.5	8.0	45°					
13202-3T900													
13202-85G00													
13201-EB70B		YD25	4			IN							
13202-EB70B				EX									
13201-AD21A		YD20 YD25D	4			IN	28.0	106.72	6.0	45°			
13201-AD210													
13201-AD200													
13202-AD20A				EX	26.0	103.36	6.0	45°					
13202-AD200													
13201-2W20A		ZD30	4			IN	32.0	113.5	7.0	45°			
13201-2W201													
13201-2W200													
13202-2W201				EX	30.0	113.45	7.0	45°					
13202-2W200													

SUZUKI

ENGINE VALVE



O.E PART NO.	YEAR	ENGINE MODEL	CYL	VEHICLE		IN EX	DIMENSIONS						REMARKS								
				NAME	MODEL		HD	OL	SD	SA	HS	CG									
12911-73000	78-	F5A	3	FRONTE, ALTO, CARRY	SS40 / 41 / 81, S120	IN	31.6	110.0	7.0	45°	c	7									
12911-73001	78-	F8A	4	CERVO, JIMNY	ST40 / 41 / 80 / 90 / 308																
12911-73002	83-	L J50	3		S J20 / 30 / 401																
12911-73003					L J80 / 81																
12911-73010																					
12911-73011																					
12911-73012																					
12911-78100																					
12911-78101																					
12911-84000																					
12915-73000														EX	27.6	109.5	7.0	45°	d	7	
12915-73001																					
12915-73002																					
12915-73003																					
12915-73005																					
12915-73010																					
12915-73011																					
12915-73012																					
12915-73100																					
12915-78110																					
12915-78111																					
12915-84000																					
12915-84010																					
12915-84101																					
12911-82000	83-	FA10A	4	JIMNY	SJ40	IN	36.0	115.5	7.0	45°	c	7									
12911-82010						EX	30.0	114.5	7.0	45°	d	7									
12915-82000																					
12915-82001																					
12915-82010																					
12915-82050	83-	G10	3	CULTUS/SWIFT	AA41																
12915-82062	85-	G13A/B	4																		
12911-78101		F10A	4	JIMNY		IN								31.5	110.0	7.0	45°	c	7		
12915-73004						EX								27.5	109.5	7.0	45°	d	7		
12911-09401						IN								20.0	71.3	5.0	45°	c	7		
12912-09401						EX							17.0	70.7	5.0	45°	c	7			
12911-45011						IN	36.0	93.5	7.0	45°	c	7									
12912-45011						EX	30.0	91.7	7.0	45°	c	7									
12911-60A10	86-	G16A G15	4	SIDEKICK (8 VALVES) ESCUDO / VITARA	SE416	IN	36.6	115.5	7.0	45°	d	7									
96057952																					
12915-60A00						EX	32.5	114.5	7.0	45°	d	7									
12915-60A50																					
96057953																					
96067994																					
12911-60B20	89-	GA13A G10	4	SWIFT	AA34 / AB34	IN							35.0	84.0	5.5	45°	c	7			
96060053						EX							28.0	84.0	5.5	45°	d	7			
12915-60B70																					
96067978																					

SUZUKI

ENGINE VALVE



O.E PART NO.	YEAR	ENGINE MODEL	CYL	VEHICLE		IN EX	DIMENSIONS						REMARKS					
				NAME	MODEL		HD	OL	SD	SA	HS	CG						
12911-71C00 12911-71C10 12911-71C20	86-	GA16A G13B	4	SIDEKICK (16 VALVES) VITARA	SF416	IN	29.2	92.2	5.5	45°	c	7						
EX						25.0	79.9	5.5	45°	d	7							
12915-71C00 12915-71C50 12915-71C70																		
12911-86500-000 12911-86511-000						86-	G13B/A	4	SWIFT	AA33 / AB34 / 33	IN	29.0	105.4	5.5	45°	c	7	
EX											24.0	104.5	5.5	45°				
12915-86500-000 12915-86510-000 12915-86561-000																		
12911-02A00 12912-02A00											IN	22.5	69.6	5.0	45°	c	7	
EX	19.0	68.6	5.0	45°	c						7							
12911-61C00 12911-81400 12915-81400		F6AG	3	ALTO		IN	25.6	92.2	5.0	45°	d	7						
EX	22.4				80.5	5.0	45°	a	7									
12911-14D01 12912-14D01									IN	30.5	93.1	5.0	45°	c	7			
EX	27.0	92.6	5.0	45°	c	7												
12911-30A00-000 12911-30A02 12911-30A11						IN	24.0	67.9	5.0	45°	c	7						
EX	27.0	92.6	5.0	45°	c	7												
12912-30A01-000 12912-30A11																		
12911-30A02 12912-30A01		FB100				IN	24.0	67.8	5.0	45°								
EX	21.0		67.2	5.0	45°													
12911-04800 12912-74400						IN	30.0	90.4	5.5	45°	c	7						
EX	26.0	89.3	5.5	45°	c	7												
12911-05211 12911-24400 12912-05211 12912-24400		GS125 GS150				IN	30.0	90.3	5.5	45°	c	7						
EX	26.0		89.3	5.5	45°	c	7											
12911-38200 12912-38200						IN	26.0	97.7	5.5	45°	c	7						
EX	22.0	93.6	5.5	45°	c	7												
12911-78B00 12915-78B01		F6A	3	ALTO		IN	31.6	110.6	5.5	45°	c	7						
EX	27.6				110.0	5.5	45°	d	7									
12911-30D00 12915-30D00						IN	25.0	67.2	5.0	45°	c	7						
EX	22.0	66.8	5.0	45°	c	7												
12911-02C00 12915-02C00						IN	28.0	92.9	5.5	45°	c	7						
EX	25.0	91.1	5.5	45°	c	7												
12911-19B00 12912-18A00						IN	33.0	88.6	5.5	45°	c	7						
EX	28.0	87.7	5.5	45°														
12911-86FA0 12915-86F50						IN	33.0	86.2	6.0	45°	c	7						
EX	28.0	86.0	6.0	45°	d	7												
12911-15D01 12912-15D01						IN	28.5	94.8	5.0	45°	c	7						
EX	25.0	94.5	5.0	45°	c	7												
12911-70B00 12911-70B30 12912-70B00			3	DAEWOO		IN	35.6	110.57	5.5	45°	c	7						
EX	31.8	110.2	5.5	45°	c	7												

O.E PART NO.	YEAR	ENGINE MODEL	CYL	VEHICLE		IN EX	DIMENSIONS						REMARKS													
				NAME	MODEL		HD	OL	SD	SA	HS	CG														
81555-8600	71-72	EA62	4	SUBARU1300 1400	A15 / 44 A22 / 62 AB / AF / AM	IN	37.0	109.0	8.0	45°	c	2														
81555-8610		EA63	4				36.0	108.5	8.0	45°	c	2														
81555-8620		EA64 EA65	4				36.5	108.5	8.0	45°	c	2														
31555-7000														EX	32.6	109.0	8.0	45°	d	2						
31556-7000																										
41556-3400		71-78 73-79 79-	EA63			4	LEONE1200 / 1300 / 1400	A22 / 24 / 25 / 32 / 33 A62 / 64 / 65 AFI, AH1, AM1/2, AB1	IN	36.5	108.5	8.0		45°	c	7										
41556-3410			EA64			4			EX	32.6	109.0	8.0		45°	d	7										
41556-7110			EA65							32.6	109.3	8.0		45°	d	7										
31555-4300			FA71							4	SUBARU, LEONE1600	AC / AF / AG / AN / AW		IN	39.6	109.0		8.0	45°	c	2					
31556-4300						EX			34.6					109.0	8.0	45°		a	2							
41556-3200	34.6	109.0		8.0	45°		d	2																		
41556-7000																										
41556-7010																										
31555-4310	75-	EA71	4	LEONE1600, 1800 BRAT	A26 / 27 / 33 / 34 / 66 A67 / 69, AB2 / 3 / 4 / -	IN	39.6	109.0	8.0	45°	c	7														
41556-3220						EX	34.6	109.3	8.0	45°	c	7														
41556-4310						EX	34.6	109.0	8.0	45°	c	7														
41556-7020																										
41555-7000		EA81	4		AJ5. AW2	IN	41.4	109.6	8.0	45°	c	7														
41555-7100						EX	35.2	109.5	8.0	45°	c	7														
13201-AA240																										
49715-5500						77-83	EK23	2	REX500, 550 SAMBER500, 550	K23 / 24 / 43 / 44 / 75 K76 / 77 / 78 / 85 / 87 / 88 KT1 / 2 SCF751 / 752	IN	35.0		111.0	7.0	45°	c	5								
41555-5410							EK22	2												EX	30.0	111.3	7.0	45°	c	5
41556-5400																										
41556-5410																										
41556-5500							EF10	3			DOMINGO	K J5 / 6		EX												
13201-AA001							85-	EA82			4	LEONE1600, 1800			IN	42.0	107.5	7.0		45°	c	5				
41556-AA002															EX	35.5	108.0	7.0		45°	c	7				
13202-AA021																										
13202-AA022																										
13202-AA001	EX	35.5	107.5	7.0	45°	c			5																	
13202-AA002																										
13202-AA011																										
13202-AA012																										

O.E PART NO.	YEAR	ENGINE MODEL	CYL	VEHICLE		IN EX	DIMENSIONS						REMARKS
				NAME	MODEL		HD	OL	SD	SA	HS	CG	
13201-KA001						IN	29.0	108.3	7.0	45°	c	7	
13201-KA002													
13201-KA062													
13201-KA120													
13201-KA121													
13202-KA002						EX	33.0	108.7	7.0	45°	c	7	
13202-KA031													
13202-KA032													
13202-KA181													
41555-1000					IN								
41556-1000					EX	30.0	110.3	7.0	45°	c	5		
81555-4100						IN	32.0	105.0	8.0	45°	c	2	
81556-4100					EX								
13202-AA110		EJ22				EX	28.0	101.2	6.0	45°	c	7	
13202-AA112													
13202-AA171													
81556-4800						EX	27.6	105.0	8.0	45°	d	2	
81556-6200													
13201-AA070		EJ18	4	LEGACY		IN	31.0	101.0	6.0	45°	c	7	
13201-AA071													
13201-AA072													
13201-AA180													
13202-AA160													
(13202-AA161)													
(13202-AA101)													
(13202-AA102)													
13201-AA080		EJ22	4	LEGACY		IN	32.5	101.0	6.0	45°	c	7	
13201-AA082													
13201-AA190													
13202-AA110													
(13202-AA112)													
(13202-AA171)													
13201-KA111		EF10	3	JUSTY	KA/KJ	IN	36.0	111.0	7.0	45°	c	5	
(13201-KA110)		EF12	3	DOMINGO									
13202-KA161													
(13202-KA160)						EX	30.0	110.6	7.0	45°	c	5	
13201-AA250			4	LEGACY		IN	36	93.5	6.0	45°	c	7	
(13201-AA251)													
13202-AA270	89-	EJ20											
(13202-AA271)						EX	32.0	94.1	6.0	45°	c	7	
(13202-AA272)													

TOYOTA

ENGINE VALVE



O.E PART NO.	YEAR	ENGINE MODEL	CYL	VEHICLE		IN EX	DIMENSIONS						REMARKS						
				NAME	MODEL		HD	OL	SD	SA	HS	CG							
13711-15010	78~	3A 4A	4	CARINA1500 / 1600,	AA60 / 63	IN	36.0	107.0	7.0	45°	c	3							
13711-15030	80~		4	TERCEL1300/1500, CELICA1600	AT140 / 150 / 160 / 170	IN	36.0	107.0	7.0	45°	d	6							
13711-15010	83~		4	CORSA1300/1500, CORONA1600	AE70-72 / 80-86 / 90/ 100	EX	31.0	107.0	7.0	45°	d	3							
13715-15030			4	COLOLLA1300 / 1500 / 1600 SPRINTER1500 / 1600	AL10/11/12/21/22/15/2 0	EX													
13711-01010		2A	4	CORSA, TERCEL		IN	36.0	106.9	7.0	45°	c	6							
13715-01010		3A	4	CORLLA, CARINA		EX	31.0	106.8	7.0	45°	a	6							
		4A	4	SPRINTER. CORONA															
13711-16010		4AG	4	COROLLA,		IN	30.5	99.6	6.0	45°	c	7							
13715-16010			4	SPRINTER		EX	25.6	99.7	6.0	45°	d	7							
13711-56010	72-	B	4	LANDCRUISER, COASTER, TOYOACE, DYNA	BJ10/43, BK30, BY31 BU10/12/15/19/20/22/3 0/35	IN	45.0	128.1	9.0	45°	d	3							
13715-56010			4		EV20 / 30 / B J4#	EX	37.5	127.9	9.0	45°	d	3							
13711-56020	77- 77-82	B	4	LANDCRUISER, COASTER, TOYOACE	B J40/41/43/44/60,BY31 BU10/12/15/19/ 20/ 22/ 30/31/35/36	IN	45.0	128.0	9.0	45°	d	7							
13711-56030						2B							4	DYNA	BK30, BB10/11	IN			
13711-56031		EX	37.5	127.7	9.0		45°	d	7										
13715-56020		EX	37.5	127.7	9.0	45°	d	7											
13711-56050		B	4			IN	45.0	126.5	9.0	45°									
13711-56032						EX								37.5	126.5	9.0	45°		
13715-56050		2B	4				EX	37.5	126.5	9.0	45°								
13715-56033	EX						37.5	126.5	9.0	45°									
13711-56060		11B	4	NEW		IN	44.0	126.5	9.0	45°	d	7							
13715-56060						EX								36.5	126.5	9.0	45°	d	7
13711-58010	81- 85-	3B	4	LANDCRUISER, DYNALANDCRUISER	B J46 / 60, BU23, BB20/31	IN	46.0	128.0	9.0	45°	d	7							
13711-56034						EX								41.0	128.0	9.0	45°	d	7
13715-58010		13B	4				EX	41.0	128.0	9.0	45°	d	7						
13715-58011							EX	41.0	128.0	9.0	45°	d	7						
13715-56035	COASTER																		
13711-58010	84-	13B	4	DYNA	BU60 8#/9#	IN	46.0	128.0	9.0	45°	d	7							
13715-58020						EX								38.5	127.9	9.0	45°	d	7
13715-58021																			
13711-58021		14B	4	DYNA LAND CRUISER		IN	46.0	126.5	9.0	45°	d	7							
13711-56036						EX								38.5	126.5	9.0	45°	d	7
13715-58040		14B(T)	4				IN	46.0	126.5	9.0	45°								
13715-56037							EX								38.5	128.0	9.0	45°	
13711-56038		14B(T)	4			IN	46.0	126.5	9.0	45°									
13711-58021						IN								46.0	126.5	9.0	45°		
13711-58050						IN								46.0	126.5	9.0	45°		
13711-58020						IN								46.0	126.5	9.0	45°		
13715-56039						EX								38.5	128.0	9.0	45°		
13715-58020						EX								38.5	128.0	9.0	45°		
13715-58021						EX								38.5	128.0	9.0	45°		

TOYOTA

ENGINE VALVE



O.E PART NO.	YEAR	ENGINE MODEL	CYL	VEHICLE		IN EX	DIMENSIONS						REMARKS
				NAME	MODEL		HD	OL	SD	SA	HS	CG	
13711-64010	81-	1C	4	CAMRY1800, VISTA1800, SPRINTER1800	CV10 12, CA67, CM25	IN	38.5	106.5	8.0	45°	d	7	
13715-64010				COROLLA1800, CORONA1800	CE70 71/80/81/82		32.5	106.5	8.0	45°	d	7	
13715-64020	83-	2C	4	TOWNACE 1800 / 2000	CT140 / 147, CR21 / 26	EX							
13715-64021					CT150 / 160								
13711-64011	85-	2C	4	CORONA1800, CARINA1800	CE95, CT170	IN	38.5	105	8	45°	d	7	
13711-64020							38.6	105.7	8	45°	d	7	
13715-64012				COROLLA1800, SPRINTER1800									
13715-64030		3C	4	TOWNACE1800 / 2000		EX	32.5	105.3	8	45°	d	7	
13715-64040													
13711-76010	59-74	D	6	TRUCK DA, BUS DR	DA11, DR10/11	IN	47.0	161.1	10.0	45°	d	8	
13715-76010						EX	43.0	161.6	10.0	45°	d	8	
13711-76011	59-	2D	6	TRUCK DA/DC, BUS DB/DR	DR10/11/15/115, DC80								
13711-76012				FORK LIFT, TRACTOR	DA80/90/95/100/110/11 5/116	IN	47.0	161.5	10.0	45°	d	3	
13711-76013				SHOVEL ROADER	DB90/92/95/100/102/10 5								
13715-76011					FD60/100, SD2300/2500,								
13715-76012					SdT35	EX	43.0	161.5	10.0	45°	d	3	
13715-76013													
13715-76014													
13711-77010	59-	2D	6	TRUCK DA/DC, BUS DB/DR	DB90/92/95/100/102/10 5	IN	47.0	158.5	10.0	45°	d	3	
13715-77010				OTHER MACHINE	DR10/11 / 15, FD100, SdT35	EX	43.0	158.5	10.0	45°	d	3	
13711-77011	59-	2D	6	TRUCK	DA11,12	IN	47.0	158.5	10.0	45°	d	7	
13715-77011				BUS		EX	43.0	158.5	10.0	45°	d	7	
13711-10020	84-	1E	4	COROLLA TRUENO	EE80	IN	30.0	92.3	6.0	45°	c	7	
13712-10010		2E	4	STARLET	EP7		21.0	98.6	6.0	45°	d	7	
13715-10030				TARCEL	EL31 /42, EE90	EX	31.0	92.3	6.0		d	7	
13711-60010	54-	F	6	LAND CRUISER	FA95. FC100, FW10	IN	44.0	152.5	8.0	45°	c	7	
13715-60010				TRUCK, BUS		EX	37.5	121.0	8.0	45°	d	1	
13711-60011	60-	F	6	LAND CRUISER	FG35, FJ43	IN	44.0	152.6	8.0	45°	c	10	
13715-60011				TRUCK, BUS		EX	37.5	121.1	8.0	45°	d	10	
13715-60012													
13711-60020	65-	F	6	BUS, LAND CRUISER, TRUCK.	FS45	IN	46.0	125.0	8.0	45°	c	3	
13715-60031				MASSY, DYNA, FORK LIFT, TRACTOR	FJ40 / 43 / 45 / 55/ 56/ 60	EX	37.5	125.1	8.0	45°	d	10	
13715-60020					FB100, FA100 / 110 / 115								
					FC10/22/100, FG35. TT3500		37.5	125.0	8.0	45°	c	3	
13711-60021	74-	2F	6	TRUCK	FJ56/60/61, FA101,FC22	IN	46.0	125.0	8.0	45°	c	11	
13711-61010		3F	6	LANDCRUISER	FJ40/43/45/55/70/80								
13711-61020						EX	37.5	128.0	8.0	45°			
13715-61020													
13715-61040													
13715-60032							37.5	125.0	8.0	45°	c	11	
13715-61010													
13715-61030													

TOYOTA

ENGINE VALVE



O.E PART NO.	YEAR	ENGINE MODEL	CYL	VEHICLE		IN EX	DIMENSIONS						REMARKS
				NAME	MODEL		HD	OL	SD	SA	HS	CG	
13711-61020	82-	2F	6	LANDCRUISER	FJ7 / 40	IN	46.0	125.0	8.0	45°	c	11	
13715-61030	84-	3F	6			EX	37.5	125.0	8.0	45°	c	11	
13715-61020	82-	4F					37.5	127.9	8.0	45°	c	3	
13715-61040													
13711-70010	80-	1G	6	CELICA2000, CROWN2000,	GA61, GS110/111 /	IN	36.0	109.5	7.0	45°	c	6	
13711-70020				SOARER2000, MARKII2000,	126 GZ10, GX50/51/60/61								
13715-70010				CHASER2000, CRESTA2000	GL16, GA60, GX70,	EX	31.0	109.5	7.0	45°	d	6	
13715-70020				CRESSIDA	80								
13711-70030		1G-G	6			IN	28.0	94.2	6.0	45°			
13715-70030				EX	23.5	94.2	6.0	45°					
13711-32040		1GZ	6			IN	30.0	91.7	5.5	45°			
13715-32040				EX	24.5	91.5	5.5	45°					
13711-68010	69-	H	6	DYNA, FORK LIFT,	HU15/30, FD35,	IN	42.0	120.8	9.0	45°	d	7	
13715-68010	79-	2H	6	LANDCRUISER, COASTER,	HB3H H J60 / 47 / 75, HU40/59								
13711-46010	65-70	J	4	BUS, DYNA ROUTE, FORK,	JK170/171, TD17,	IN	40.5	120.5	9.0	45°	d	10	
13711-46013				TRACTOR COASTER, TOYOACE,	JY16 JU10/12/15/18/30, SDK8								
13715-46010	68-	2J	4		SD72J, FD28	EX	33.5	120.5	9.0	45°	d	3	
13715-46011				SHOVEL									
13715-46012													
13715-46013													
13711-48010	81-	2J	4	TOYOACE, DYNA,	JUI6 / 30	IN	40.5	120.7	9.0	45°	d	7	
13711-48011													
13715-48010				COASTER	EX	33.5	120.7	9.0	45°	d	7		
13711-22010	66-69	K	4	PUBLICA, COROLLA	KP30, KP45, KE10	IN	34.0	100.2	8.0	45°	c	10	
13715-22010				STARLET	EX	28.0	99.9	8.0	45°	d	10		
13711-22011	66-	K	4	COROLLA	KE15, 16	IN	34.0	99.8	8.0	45°	c	3	
13715-22011				PUBLICA STARLET	EX	28.0	100.2	8.0	45°	d	3		
13711-24010	69-76	2K	4	STARLET1000/1200, LITEACE	KP	IN	36.0	100.0	8.0	45°	c	10	
13711-24020				PUBLICA1000/1200, TOWNACE	10/30/31/36/37/38/40 KE11/17/18/20/25/30								
13711-24021				COROLLA1200, SPRINTER1200	KE36/40/45/46, KM10								
13715-24010	69-77	3K	4	HILUX	KP42/45/47/50/51/62	EX	29.0	100.0	8.0	45°	d	10	
13715-24011													
13711-24011	69-77	3K	4	COROLLA1200 / 1300,	KE11/17/18/ 20/ 25/ 26/	IN	36.0	100.0	8.0	45°	c	3	
13711-24012				CARINA1500, SPRINTER1200	30/36/40/45/50/55/60/6 5								
13715-24012	78-	4K	4	/1300, LITEACE	/70/71/72/73	EX	29.0	100.0	8.0	45°	d	3	
13715-24013	83-		4	STARLET1200/1300,	KM10/11/ 20/ 21		29.0	100.0	8.0	45°	d	6	
13715-24030		5K	4	PUBLICA 1200	KP10/ 31/ 36/ 37/ 38/ 42/								
13715-24031				TOWNACE, HILUX	47 /50/51/61/62, KP11/12								
	83-		4	TAMARAW	KA67, KFI#/ 2#/ 4#/ 5#								

TOYOTA

ENGINE VALVE



O.E PART NO.	YEAR	ENGINE MODEL	CYL	VEHICLE		IN EX	DIMENSIONS						REMARKS
				NAME	MODEL		HD	OL	SD	SA	HS	CG	
13711-54010 13711-54030	78-	L	4	CROWN2200 / 2400, TOYOACE MARKII220012411, HILUX	LS10 / 110/111/ 117 / 120 /126	IN	42.5	123.0	8.5	45°	c	11	
13715-54010 13715-54020 13715-54030	83-	2L	4	CHASER2200/2400, HIACE BIRZZARD, CRESTA2200 CRESSIDA2200	LN40/44/46/50/55/65/6 0 LX40/60/67, LD10, LX65 LH20/24/30/40/50/60/7 0 LT20, LY20/30	EX	35.0	123.0	8.5	45°	c	11	
13711-54020 13711-17010	89-	2L 3L	4	HILUX	LN80 / LH100 LX80/76, LS130	IN	42.5	103.5	8.0	45°	d	7	
13715-54040 13715-17010				HIACE VAN		EX	36.0	103.3	8.0	45°	d	7	
13711-05020 13711-54030		5L	4			IN	42.5	104.3	8.0	45°	d	7	
13715-05020 13715-54050						EX	36.0	104.0	8.0	45°	d	7	
13711-41010 13715-41010	66-	M	6	CROWN	MS50, 51, 52	IN	40.0	114.2	8.0	45°	c	3	
						EX	34.0	120.8	8.0	45°	c	3	
13711-45010 13711-45020 13711-41020	71-79	4M	6	CROWN2600, CELICA2600, MARKII2600 SUPRA	MS65/75/80/83/95/101/ 85/111 MS103/105/106, MA46	IN	38.0	116.2	8.0	45°	c	3	
13715-45010 13715-45020					MX23 / 29 / 33 / 43	EX	33.0	112.7	8.0	45°	c	3	
							33.0	113.2	8.0	45°	c	3	
13711-43030 13711-43010 13711-43020	79-	5M 6M	6	CROWN2800, SOARE2800, CELICA2800, MARKII2800, SUPRA	MSI12/123, MZ11, MX62/63, MA56/61/67/55	IN	44.0	107.7	8.0	45°	c	3	
13715-43010						EX	36.0	109.7	8.0	45°	d	3	
13711-42020 13715-42010	86-	7M	6	SUPRA	MA70	IN	32.0	98.0	6.0	45°	c	7	
						EX	27.5	98.0	6.0	45°	d	7	
13711-31010 13715-31010	64-	2R	4	CORONA1500, MARKII 1500, HIACE, TOYOACE, STOUT, HILUX	RT40/ 46/ 50/ 56/ 66/ 80/ 86/90 RH10/15/16/30 RK41/43, RN10/15	IN	40.0	116.0	8.0	45°	c	15	
						EX	32.0	116.0	8.0	45°	d	15	
13711-31011 13175-31011		2R	4	CORONA 1500, MARKII 1500, HIACE, TOYOACE, STOUT, HILUX	RT40/ 46/ 50/ 56/ 66/ 80/ 86/90 RH10/15/16/30 RK41/43, RN10/15	IN	40.0	115.8	8.0	45°	c	3	
						EX	32.0	115.8	8.0	45°	d	3	

TOYOTA

ENGINE VALVE



O.E PART NO.	YEAR	ENGINE MODEL	CYL	VEHICLE		IN EX	DIMENSIONS						REMARKS			
				NAME	MODEL		HD	OL	SD	SA	HS	CG				
13711-31012	64-71	2R	4	CORONA1500, MARKII 1500,	RT40/ 46/ 50/ 56/ 66/ 80/	IN	39.0	116.0	8.0	45°	c	10				
13715-31012				HIACE, TOYOACE, STOUT, HILUX	86/90	EX	33.0	116.0	8.0	45°	d	10				
					RH10/15/16/30											
					RK41/43, RN10/15											
13711-40010		3R	4	CROWN	RS40, 41	IN	42.0	125.0	9.0	45°	d	10				
13711-40011				DYAN, STOUT	RT62, 72											
13711-40020																
13711-40030																
13715-40010									EX	35.0	125.0	9.0		45°	d	10
13715-40011																
13715-40021																
13715-40030																
13711-32010		4R	4	CORONA 1600	RT55	IN	43.0	116.0	8.0	45°	c	8				
13715-32010								EX	34.0	116.0	8.0	45°		d	8	
13711-44010		5R	4	CROWN, HILUX		IN	43.0	109.5	8.5	45°	c	10				
13711-44011				TOYOACE, DYNA												
13715-44010																
13715-44011									EX	37.0	109.5	8.5		45°	d	10
13715-44020																
13711-44012		5R	4	CROWN, HILUX		IN	43.0	109.5	8.5	45°	c	8				
13715-44012				TOYOACE, DYNA				EX	37.0	109.5	8.5	45°		d	8	
13715-44021										37.0	110.0	8.5		45°		
13711-44013	67-	5R	4	CROWN2000, COASTER, HILUX	RS50/56/60/100/105/110	IN	43.0	109.5	8.5	45°	c	7				
13715-44022				CORONA, TRACTOR	RU10/12/15/18/19/ 20/ 30	EX	37.0	110.0	8.5	45°	d	8				
				DYNA ROUTE, TOYOACE, STOUT	RK101/110/111/170/171/176 RY16/31, TG17											
13711-33010	70-73	6R	4	MARKII1600 / 1700 / 1900	RT60/ 61/ 67/ 68/ 70/ 71	IN	43.0	114.2	8.0	45°	c	3				
13711-33011				CORONA1700 / 1900	/ 72/75/76/77/78/80/84											
13715-33010	68-70	7R	4		/ 87/88/90/93/94	EX	34.0	114.2	8.0	45°	d	3				
13715-33011		8R														
13715-33030	68-72	18R	4		RX10/16, RA20, RN12											
13711-31030	70-	12R	4	CORONA 1600	RN20 / 25	IN	40.0	109.0	8.0	45°	c	10				
13711-31040				MARKII1600	RT80											
13715-31030				HIACE, HILUX		EX	34.0	109.0	8.0	45°	d	10				
13715-31040																
13715-31050																
13711-31050	77-	12R	4	CORONA1600, MARKII1600	RH 11/13/16/20/24,	IN	40.0	109.0	8.0	45°	c	7				
							HIACE, TOYOACE, TOWNACE, HILUX	RY10/12/14								
					RR10/11/ 20/ 21											
					RN13/16/ 20/ 25/ 30/ 33/ 35/40/43	EX	34.0	109.0	8.0	45°	d	7				
13715-31070					RT40/ 51/ 55/ 66/ 69/ 81/ 87/91/106/127/130											

TOYOTA

ENGINE VALVE



O.E PART NO.	YEAR	ENGINE MODEL	CYL	VEHICLE		IN EX	DIMENSIONS						REMARKS
				NAME	MODEL		HD	OL	SD	SA	HS	CG	
13711-34010	73-80	16R	4	MARKII1800/1200,	RA10/11/14/15/16/17	IN	41.0	113.2	8.0	45°	c	3	
13711-34011				CELICA2000	/ 21/23/25/28/31/35/40								
13711-34012				CORONA1600 / 1200,	/ 45/55/63								
13711-34030				CHASER2000									
13711-34031	71-	18R	4	CARINA1800-2000,	RX11/12/15/17/ 21/ 22/								
13711-34031	CAMRY2000			27 / 28/30/31/35/37/63									
13711-36020	73-	18R	4	HIACE, HILUX, CRESSIDA2000	RT/95/102/104/108/110	EX	43.0	113.2	8.0	45°	c	3	
13711-36021													
13711-36040													
13715-34010	73-	18R 19R	4		RN22/ 27/ 30/ 40	EX	36.0	113.2	8.0	45°	d	3	
13715-34011													
13715-34012													
13715-34013													
13715-34022													
13715-34050													
13715-34310													
13715-34311													
13715-34312													
13715-34313													
13715-36021													
13711-37010	75-80	20R	4	MARKII2000, CELICA2000	RU50	IN	43.0	115.5	8.0	45°	c	3	
13711-38010				CHASER2000, CORONA2000	RH23 / 33								
13711-38020				CAMRY2000, CARINA2000	RB11 / 12								
13715-38010	78-	21R	4	HIACE2000, CRESSIDA2000	RX40 / 41 / 60 / 70	EX	36.0	114.0	8.0	45°	c	3	
13715-38011				COASTER2000	RTI05/115/119/133/134								
13715-38020					RN27/ 28/ 32/ 37/ 42/ 47								
13715-38050					RA22/ 24/ 29/ 42/ 45/ 46/ 56								
13715-37020													
13711-35050	84-	21R 22R	4	CRESSIDA2000		IN	45.0	113.8	8.0	45°	c	6	
13711-35030	84-			HILUX									
13711-35040				DYNA									
13711-35050													
13711-35051													
13715-35040				EX	37.0	113.0	8.0	45°	c	6			
13711-35010	81-	21R 22R	4	COASTER2200	RB 13	IN	45.0	113.4	8.0	45°	c	3	
13711-35030				CELICA2200	RT32 / 36								
13711-35031				DYNA	RX70 / 80								
13715-35010					RA43 / 44 / 63 / 65								
13715-35020					RN34/ 38/ 44/ 48/ 50/ 60/ 66/80/90/100								
13715-35030					RU80/90								
13715-35031													
13715-35040													

TOYOTA

ENGINE VALVE



O.E PART NO.	YEAR	ENGINE MODEL	CYL	VEHICLE		IN EX	DIMENSIONS						REMARKS		
				NAME	MODEL		HD	OL	SD	SA	HS	CG			
13711-63010	81-	1S	4	CAMRY1800/2000, CELICA1800 VISTA1800/2000, CARINA1800 MARKII1800, CHASER1800 CRESTA1800, CORONA1800	SQ60, SV10/11/12/16	IN	40.0	109.8	8.0	45°	c	6			
13715-63010	83-	2S	4		SX60, ST140/150	EX	34.0	109.4	8.0	45°	c	6			
13715-63011					SA60,										
13715-63021															
13711-74020	86-	3S-FE	4	CELICA CORONA CAMRY	ST1 7 0 / 180 / 190	IN	32.0	100.6	6.0	45°	c	7			
13711-74030															
13711-74040															
13715-74020							EX	27.0	100.5	6.0	45°	d	7		
13715-74030															
13715-74050 13715-74060															
13711-25010	70-	T	4	CELICA 1400 CORONA 1400 SPRINTER 1400 CARINA 1400	TA10, 15, 16, 20	IN	41.0	109.2	8.0	45°	c	10			
13715-25010	70-	2T	4		TE20, 25, 30, 35, 36,	EX	36.0	109.2	8.0	45°	c	10			
		2TB			40, 45, 50, 60										
13711-88210	71-	2T-G	4	CELICA 2000 CORONA MARKII 2000	RA23/28/40	IN	45.0	106.8	8.5	45°	c	3			
13711-88222					RX30 / 31 / 63		44.5	106.2	8.5	45°	c	3			
13711-88224															
13715-88222		3T-G	4			EX	38.5	105.5	8.5	45°	d	3			
13711-25011	72-	2T	4	CAMRY, MARKII, CARINA, SPRINTER, CELICA, TORUENO, CHASER, LITEACE, COROLLA, TOWNACE, CORONA, CRESTA	TA12/14/17/18/19/ 22/ 27	IN	41.0	109.0	8.0	45°	c	3			
	76-	2TC			30/31/35/40/41/42/45										
	78-	3T			/49/61/67/71/71										
13715-25011		3TC			TT100/106/110/120/125 /130/138/147, TR10/11 TE21/ 27/ 31/ 37/ 47/ 51/ 52/ 55/56/61/62/65/66/71 / 73/75	EX	36.0	109.0	8.0	45°	c	3			
13711-10010		U	2	PUBLICA800	UP10/16/26	IN	39.0	101.2	8.0	45°	c	3			
13715-10010		2U	2	MINIACE800	UP100	EX	32.0	99.8	8.0	45°	d	3			
13711-71010	83-	1Y	4	TOWNACE	YR20/21/22/26, YM21/ 25	IN	40.0	108.3	8.0	45°	c	7			
13711-71020	83-	2Y	4	HILUX	YH50 / 51 / 60 / 61 / 71										
13715-71010	83-	3Y	4	HIACE		EX	36.0	108.6	8.0	45°	c	7			
13715-71020	83-	4Y	4	MASTERACE LITEACE											
13711-17010		1HZ	4	LAND CRUISER	DIESEL	IN	42.5	103.5	8.0	45°	d	7			
13711-05010		1HDT													
13715-17010								EX	36.0	103.4	8.0	45°	d	7	
13715-05010															
13711-75021	89-	1RZ	4	HIACE	RZH100, 103125	IN	42.0	102.0	8.0	45°	c	7			
13711-75010		2RZ													
13711-75020															
13711-75030									46.0	102.3	8.0	45°	c	7	
13711-75040															
13715-75010								EX	35.0	102.2	8.0	45°	c	7	
13715-75020 13715-75030									35.1	102.2	8.0	45°	c	7	
							38.0	102.3	8.0	45°	c	7			

TOYOTA

ENGINE VALVE



O.E PART NO.	YEAR	ENGINE MODEL	CYL	VEHICLE		IN EX	DIMENSIONS						REMARKS
				NAME	MODEL		HD	OL	SD	SA	HS	CG	
13711-65010 13711-65020 13715-65010 13715-65020		3VZE	6	4 RUNNER PICKUP	VZN100 / 130	IN	42.0	104.3	8.0	45°	c	7	
						EX	35.0	104.4	8.0	45°	c	7	
13711-78010 13715-78010	83-	IW	4	DYNA WIDE	WV26	IN	45.5	123.1	9.0	60°	d	7	
						EX	40.0	123.0	9.0	45°	d	7	
13711-02010 94849132 13715-02010 94845133						IN	30.5	99.5	6.0	45°	c	7	
						EX	25.5	99.8	6.0	45°	d	7	
13711-03020 13711-74080 13711-74090 13715-03020 13715-74080 13715-74090	92-	3SF 5SFE	4	GAMRY		IN	32.0	97.6	6.0	45°	c	7	
						EX	27.0	98.5	6.0	45°	d	7	
13711-11010 13711-11011 13712-11020 13715-11030	87-	3E 4E 5E	4 4	COROLLA SPRINTER TERCEL (SUB VALVE FOR 3E & 3EE)		IN	28.5	93.5	6.0	45°	d	7	
						EX	24.0 24.5	92.0 94.0	6.0 6.0	45° 45°			
13711-15050 13711-15060 13711-15071 13711-15081 94847343 13715-15030 13715-15040 13715-15050 13715-15060 94847344		4A-FHE 5A	4	COROLLA SPRINTER		IN	30.0	91.4	6.0	45°	c	7	
						EX	24.5	92.0	6.0	45°	d	7	
13711-15090 94853629 13715-15070	93-	4AFE	4	COROLLA		IN	31.0	87.5	6.0	45°	d	7	
						EX	24.5	88.0	6.0	45°	d	7	
13711-23011 13715-23011		3P	4			IN	36.0	103.8	8.0	45°	c	15	
						EX	29.7	103.8	8.0	45°	d	15	
13711-23020 13715-23020		3P	4	CORONA / TOYOACE / HIACE FORKLIFT		IN	38.0	103.5	8.0	45°	c	10	
						EX	29.7	103.5	8.0	45°	d	10	
13711-23021 13715-23021		4P	4	FORKLIFT		IN	38.0	103.5	8.0	45°	c	3	
						EX	29.9	103.5	8.0	45°			
13711-78102-71 13715-78102-71		5P				IN	44.0	117.5	9.0	45°	d	7	
						EX	33.5	118.8	9.0	45°	d	7	
13711-41011 13711-41012 13715-41011 13715-41012		2M 4M		CROWN		IN	40.0	114.2	8.0	45°	c	3	
						EX	34.0	123.2	8.0	45°	d	3	
13711-50010 13715-50010						IN	36.0	108.0	8.0	45°	c	3	
						EX	30.0	108.0	8.0	45°	d	3	

TOYOTA

ENGINE VALVE



O.E PART NO.	YEAR	ENGINE MODEL	CYL	VEHICLE		IN EX	DIMENSIONS						REMARKS
				NAME	MODEL		HD	OL	SD	SA	HS	CG	
13711-50020	90-	4B	8	LEXUS LS400 / SC400		IN	33.5	95.0	6.0	45°	c	7	
13715-50020				EX	28.0	97.0	6.0	45°	d	7			
13711-56050				LAND CRUISER, COASTER		IN	45.0	126.6	9.0	45°	d	7	
13715-56050				DYNA TOYOACE		EX	37.5	126.5	9.0	45°	d	7	
13711-62020	88-91	2VZ	6	CAMRY	VZV21	IN	33.0	96.2	6.0	45°	c	7	
13715-62020				EX		27.3	96.2	6.0	45°	d	7		
13711-62030	92-	3VZ	6	CAMRY		IN	34.0	95.2	6.0	45°	c	7	
13711-62040				LEXUS ES300		EX	34.1	95.6	6.0	45°			
13715-62030		5VZ		EX	27.3	95.0	6.0	45°	c	7			
13715-62050				EX	27.3	94.9	6.0	45°	c	7			
13711-66020	92-	1FZ	6	LAND CRUOSER		IN	40.0	98.7	7.0	45°	c	7	
13711-66030													
13715-66020				EX	33.0	98.1	7.0	45°	d	7			
13715-66030													
13711-70050	88-		6	CRESSIDA		GX81, 1G	IN	28.0	93.4	6.0	45°	d	7
13715-70050				EX	23.3		93.4	6.0	45°	d	7		
13711-88360	86-87	3SGE	4	CELICA(3SGELC ENGINE)		IN	33.5	103.0	6.0	45°	c	7	
13711-88361													
13715-88360				EX	29.0	102.0	6.0	45°	c	7			
13711-76020	90-	2TZ-F	6	ESTIMA		IN	36.0	103.6	6.0	45°	c	7	
13715-76020				PREVIA		EX	30.5	103.6	6.0	45°	d	7	
13715-76030													
13715-75050													
13711-87305						IN	40.0	136.2	9.0	45°	c	7	
13715-87305						EX	33.0	136.2	9.0	45°	c	7	
13711-88300						IN	28.0	94.2	6.0	45°	c	7	
13715-88300						EX	23.5	94.2	6.0	45°	c	7	
13711-78010	83-	1W WU	4	DYNA WIDE (WV26)		IN	45.5	123.1	9.0	60°	d	7	
13715-78010				EX	40.0	123.0	9.0	45°	d	7			
13711-78200-		IDZ	4	FORKLIFT		IN	38.5	108.6	8.0	45°	d	7	
13715-78200-				EX	35.0	108.3	8.0	45°	d	7			
13711-78300-71		IZ	4	FORKLIFT		IN	42.0	122.0	9.0	45°	d	7	
13715-78300-71				EX	35.0	121.8	9.0	45°	d	7			
13711-74080		3S-F 5S	4	CAM RY		IN	32.0	97.6	6.0	45°	c	7	
13711-74090	CELICA												
13715-74080	EX			27.0	98.5	6.0	45°	d	7				
13715-74090													
13711-16060		4AFE 7AFE	4	COROLLA		IN	31.0	87.5	6.0	45°	c	7	
13715-16060	AE102			EX	24.5	88.0	6.0	45°	c	7			
13715-15070													
13711-75060		3RZ-FE	4	4 RUNNER		IN	37.5	103.5	6.0	45°	c	7	
13711-75050													
13711-75070													
13715-75050	HI LUX			EX	30.0	103.6	6.0	45°	c	7			
13715-75040													
13715-75030													
13715-75020													
13711-58030	96-	15B 15BF	4	PZH		IN	37.0	126.5	7.0	45°	d	7	
13715-58070				EX	33.0	126.5	7.0	45°	d	7			
13711-55010		1NZ	4			IN	34.0	91.2	6.0	45°	c	7	
13715-55010				EX	29.0	91.2	6.0	45°	c	7			

TOYOTA

ENGINE VALVE



O.E PART NO.	YEAR	ENGINE MODEL	CYL	VEHICLE		IN EX	DIMENSIONS						REMARKS
				NAME	MODEL		HD	OL	SD	SA	HS	CG	
13711-21020 13711-21010		1/2N-FE	4	YARIZ		IN	30.5	89.3	5.0	45°			
13715-21020 13715-21010						EX	25.5	87.9	5.0	45°			
13711-46021 13711-46022	24V	1JZ-E	6			IN	33.5	98.5	6.0	45°	c	7	
13715-46020						EX	29.0	99.1	6.0	45°	c	7	
13711-16040 13711-16110		4AGE		20V		IN	26.5	98.5	5.0	45°	c	7	
13715-16090 13715-16040						EX	26.0	108.3	5.0	45°			
							26.0	108.4	5.0	45°	c	7	
13711-22030 13715-22030		1ZZ-FE	4			IN	32.0	88.7	5.5	45°			
						EX	27.5	88.7	5.5	45°			
13711-22040 13711-22050		1ZZ-FE	4			IN	31.0	88.7	5.5	45°			
13715-22040 13715-22050		3ZZ-FE				EX	26.0	88.7	5.5	45°			
13711-30030 13711-OL020		1KD	4			IN	32.2	105.5	6.0	45°			
13715-30030 13715-OL020						EX	27.8	105.3	6.0	45°			
13711-30040 13711-OL010		2KD				IN	30.5	106.0	6.0	45°			
13715-30040 13715-OL010						EX	26.5	105.7	6.0	45°			
13711-54020 13711-67020		1KZ	4			IN	42.5	103.5	8.0	45°			
13715-67020						EX	37.0	103.5	8.0	45°			
13711-54040 13711-67030		1KZ-TE	4			IN	42.5	104.5	8.0	45°			
13715-67040 13715-67050						EX	37.0	104.3	8.0	45°			
13711-23030 13715-23030		1SZ	4	K3-VE		IN	26.0	88.2	5.0	45°			
						EX	22.5	89.1	5.0	45°			
13711-BZ010 13715-BZ010		1SZ 2SZ				IN	26.0	88.3	5.0	45°			
						EX	22.5	89.0	5.0	45°			
13711-BZ070 13715-BZ060		2SZ 3SZ	4			IN	27.9	88.3	5.0	45°			
						EX	23.4	89.0	5.0	45°			
13711-37020 13715-37030		1ZR				IN	32.0	109.3	5.5	45°			
						EX	27.5	108.2	5.5	45°			
13711-0C050 13715-0C050		2TR				IN							
						EX							
13711-75110 13715-75100		2TR-FE				IN	37.5	106.5	5.5	45°			
						EX	31.5	106.7	5.5	45°			

MERCEDES BENZ

ENGINE VALVE



PART NO.	YEAR	ENGINE MODEL	CYL	VEHICLE		IN EX	DIMENSIONS						REMARKS
				NAME	MODEL		HD	OL	SD	SA	HS	CG	
V90049	70		4	3520530101	OM 314 OM 352	IN	44.0	140.5	9.0	45°	A	2	
V90168	74		6	3520531505	TRUCK	EX	36.0	140.5	10.0	45°	C	2	
V90047	68		6	3550530001	OM 355	IN	42.0	130.7	9.0	60°	A	2	
V90048				3550530005		EX	37.2	166.0	9.0	60°	A	2	
				234005PJ TRWT2741			53.0	162.0	10.0	45°	A	7	
			6	3460530001	OM 346	IN	42.0	129.8	9.0	45°	A	2	
				3460530005	TRUCK	EX	37.0	165.3	9.0	45°	A	2	
			6		OM 355T	IN	42.0	130.6	9.0	30°	A	2	
						EX	37.0	165.9	9.0	30°	A	2	
			6		OM 360 BUS	IN	54.0	150.0	10.0	45°	A	2	
						EX	43.0	150.0	10.0	45°	A	2	
1608/2				TRWT	OM 402	IN	59.0	142.5	12.0	30°	A	2	
						EX	51.0	142.5	12.0	45°	A	2	
			4			IN	40.0	131.5	70.0	60°		牙勾	
						EX							
16012				TRW	OM 444	IN	59.0	142.5		30°	A	7	
16011						EX	51.0	142.5		45°	A	7	
16117				TRW		IN	59.0	142.5		30°	A	7	
16116						EX	51.0	142.5		45°	A	7	

VOLVO

463395-4				244 GLE		IN	44.0	110.5	8.0	45°	c	11	
463526-4						EX	35.0	110.8	8.0	45°	d	11	
468302-5		TD120				IN	54.0	167.0	11.0	60°	a	7	
468303-3						EX	50.0	167.0	11.0	45°	a	7	
467502-1		TD100				IN	50.0	167.0	11.0	60°	a	7	
467503						EX	46.0	167.0	11.0	45°	a	7	
		FH12				IN							
						EX							
		FH13				IN							
						EX							

LADA

ENGINE VALVE



PART NO.	YEAR	ENGINE MODEL	CYL	VEHICLE		IN EX	DIMENSIONS						REMARKS
				NAME	MODEL		HD	OL	SD	SA	HS	CG	
2101-1007010			4			IN	37.0	112.7	8.0	45°	a	7	
2101-1007012						EX	31.5	113.7	8.0	45°	a	7	
2108-1007010				SAMARA		IN	35.0	104.0	8.00	45°	a	11	
2108-1007012				1300/1500		EX	31.5	104.0	8.0	45°	a	11	

LADA ROVER

527240	58		4	V3085	88-109	IN	39.3	116.7	8.0	45°	a	7	
550198	72			V3572	DIESEL SANTANA	EX	33.3	117.1	8.7	45°	a	7	
277593			4	V3195	88-109	IN	44.5	111.5	8.0	60°	a	7	
557967	59			V34365/3573	GASOLINA SANTANA	EX	35.0	111.5	8.7	45°	a	7	
112999					88	IN	39.5	117.0	8.0	60°	a	7	
113000					TURBO DIESES	EX	33.5	117.5	8.7	45°	a	7	

LEYLAND

10616646			4	LEYLAND 401		IN	45.7	145.9	8.7	45°	a	7	
10618851						EX	42.7	145.9	8.7	45°	a	7	

LISTER

V3642	61		4	201-19350	SL 1/2/3/4 LD111	IN	32.3	119.9	8.0	45°	a	7	
V3621	67			201-19360	LR	EX	29.4	119.9	8.00	45°	a	7	
V3643	57		6	351-10361	HA, HA2, FRD.	IN	46.8	137.5	9.6	45°	a	7	
V3644	69			291-50150	HA3, HS6, HIGH SPEED AND 352	EX	38.9	137.5	9.6	45°	a	7	
V34296			2	351K-50402	HR, HRW 2/3	IN	48.0	137.2	9.5	45°	a	7	
V34297			6	351F-50430	4/6 HRWS 6	EX	40.8	137.2	9.5	45°	a	7	
V34266			4	201-50871	SR 1/2/3/4	IN	39.7	120.0	8.8	45°	a	7	
V34267	67			201-50891	SW1/2	EX	33.5	120.3	8.8	45°	a	7	
V2947	49			201-10363	LD1/2 LR1/2	IN & EX	29.4	113.1	8.0	45°	a	7	
34955				201-80250	ST	IN	42.6	120.1	8.7	45°	a	7	
34956				201-80241		EX	35.6	120.7	8.7	45°	a	7	

FIAT

ENGINE VALVE



PART NO.	YEA R	ENGINE MODEL	CYL	VEHICLE		IN EX	DIMENSIONS						REMARKS
				NAME	MODEL		HD	OL	SD	SA	HS	CG	
				FIAT 2000cc		IN	43.5	105.8	8.0	45°	c	7	
						EX	36.0	105.8	8.0	45°	a	7	
4265695				FIAT 900cc	FIAT 127	IN	29.1	95.4	7.0	45°	c	7	
4377979						EX	26.0	95.9	7.0	45°	d	7	
				FIAT 1500cc		IN	35.0	109.7	8.0	45°	a	15	
						EX	31.5	104.9	8.0	45°	a	15	
				FIAT 128		IN	36.0	106.6	8.0	45°	a	7	
						EX	31.0	109.0	8.0	45°	a	7	
	TIPO					IN							
					FIAT 128	IN	36.0	108.6	8.0	45°	a	7	
						EX	31.0	109.0	8.0	45°	a	7	
					FIAT 132	IN	42.5	106.5	8.0	45°	c	7	
						EX	36.4	105.8	8.0	45°	a	7	
4621511					FIAT 480	IN	44.0	126.0	8.0	45°	a	7	
4673608						EX	37.0	125.5	8.0	45°	a	7	

HILLMAN

1218394				HUNTER 1725	PAYKAN	IN	36.5	118.4	8.0	45°	c	7	
1218383						EX	30.0	118.6	8.0	45°	a	7	
71262713				AVENGER 1600 STD	100.8	IN	38.0	110.0	8.0	45°	c	7	25552400
71250985						EX	31.2	110.0	8.0	45°	c	7	25552800
71262714				AVENGER 1600 0.076 O/S	100.9	IN	38.0	110.0	8.0	45°	c	7	25552500
71250986						EX	31.2	110.0	8.0	45°	c	7	25552900
71262715				AVENGER 1600 0.38 O/S		IN	38.0	110.0	8.3	45°	c	7	25552600
71250987						EX	31.2	110.0	8.3	45°	c	7	25553000
71262716				AVENGER 1600 0.74 O/S		IN	38.0	110.0	8.7	45°	c	7	25552700
71250988						EX	31.2	110.0	8.7	45°	c	7	25553100

FORD

ENGINE VALVE



PART NO.	YEAR	ENGINE MODEL	CYL	VEHICLE		IN EX	DIMENSIONS						REMARKS
				NAME	MODEL		HD	OL	SD	SA	HS	CG	
V34059	65		4	723F6507/AAA	"D" "M" & "N" SERIES	IN	45.0	155.6	9.6	60°	a	3	
V90163	68		6	723F6505/GAA		EX	39.0	156.4	9.6	60°	a	3	
V34048	64		3	C5NN65078	DEXTA2000/2600 6600/6700 8600/8700	IN	45.8	146.0	9.5	45°	a	3	
V34049	74		4	C5NN6505E	5000	EX	38.4	146.0	9.5	45°	d	15	
42-13				D3NN-6507A	2600-3600 4600-5600 6600-7600	IN	46.0	145.6	9.5	45°	a	3	
43-13				D3NN-6505A		EX	38.1	145.9	9.5	45°	a	15	
				711M-6507KA	FIERA 3000-4000/PE	IN	38.0	110.9	7.9	45°	c	11	
				711M-6505GA		EX	31.4	110.6	7.9	45°	a	11	
				70HM-6507D3C	CORTINA	IN	42.0	111.2	8.4	45°	c	11	
				70HM-6505D3C		EX	36.0	110.5	8.0	45°	c	11	
				FOHM-6507F-D3E		IN	42.0	111.3	8.4	45°	c	11	
				FOHM-6505-D3E		EX	36.0	110.7	8.0	45°	c	11	
1S4G6507BB		FIFSTA1.4				IN							
1S6G6505BA		FIFSTA1.6				EX							
1S7G6507D7G		FOCUS1.8				IN							
1S7G6505D7F						EX							
U202-12-111A		FORD 2.2				IN							
U202-12-121A						EX							

PERKINS

V3363	53		3	31411281	D3,152 MARINE	IN	39.0	114.3	8.0	45°	a	7	
V3364	-			31431591	DIESEL	EX	33.3	114.3	8.0	45°	c	7	
V3365	70			31431641	4236 TRACTOR	IN	44.3	123.0	9.5	45°	a	7	
V3366	60			31431109	6.354								
V34789	-		6	31431881	6.352(STD) MARINE	EX	36.6	123.2	9.5	45°	a	7	
					DIESEL	EX	36.5	123.3	9.5	45°	a	7	
			6	31421401		IN	44.5	123.0	9.6	45°	a	7	0.1 O/S
				31431882		EX	36.5	123.3	9.6	45°	a	7	
			4	31431981		IN	39.0	114.2	8.0	30°	c	7	
				31431991		EX	33.4	114.2	8.0	30°	a	7	

KIA

ENGINE VALVE



PART NO.	YEAR	ENGINE MODEL	CYL	VEHICLE		IN EX	DIMENSIONS						REMARKS
				NAME	MODEL		HD	OL	SD	SA	HS	CG	
K95412111A K01312121A			4		Sephia 1.6	IN EX	33.7 28.9	103.4 104.0	6.0 6.0	45° 45°	c a	7 7	
K9BV12111 K566-12121			4			IN EX	31.5 27.6	89.6 90.1	6.0 6.0	45° 45°	c a	7 7	
B6S712111 K93812121			4			IN EX	31.0 26.2	105.2 105.2	6.0 6.0	45° 45°	c c	7 7	
MB30112111 KK15012121			4			IN EX	32.0 28.0	105.3 104.1	7.0 7.0	45° 45°	c c	7 7	
B3C712111 B3D212121		B3/B6				IN EX	25.5 21.5	108.3 109.3	6.0 6.0	45° 45°	d d	7 7	
OVN0112111 OVN0112121		KIA BEST2700	4			IN EX	41.1 35.0	114.5 114.6	9.0 9.0	45° 45°	c c	7 7	
OK054-12-111 OK054-12-121				SPORTAE 2.6TD RF		IN EX	39.4 35.1	107.0 106.0	8.0 8.0				
OK65A-12-111A OK65A-12-121A				KIA1.4		IN EX	44.0 37.3	112.7 112.8	8.5 8.5	45° 45°	d d	7 7	
K638-12-111 K638-12-121				BOX		IN EX							

SCANIA

1778492			6			IN							
1319081 1360833			6			IN EX							
1477022 1445830		DSC12	6			IN EX							
13975215B6850 352211NA5681		113	6			IN EX							
1333230YB6850 1407997YA6850			6			IN EX							

VOLKSWAGEN / AUDI

056-109-601A 056-109-611A						IN EX	34.0 31.2	99.0 98.5	8.0 8.0	45° 45°	a d	11 11	
				V.W. 1300		IN EX	33.1 31.8	111.6 111.6	8.0 8.0	45° 45°	d c	11 11	
311-109-601 113-109-612A		62/70 56/74	4	V.W. 1500 V.W. 1600		IN EX	35.5 32.0	112.0 112.0	8.0 8.0	45° 45°	c d	11 11	
049-109-601 026-109-611A			4	V.W. 1800 (SANTANA) AUDI 5000 GAS		IN EX	38.0 33.0	91.5 91.1	8.0 8.0	45° 45°	a a	11 11	035-109-601H 035-109-611H
030-109-601C 030-109-611A				V.W. GOLF		IN EX	36.0 28.9	99.3 99.0	8.0 8.0	45° 45°	c c	11 11	

RENAULT
ENGINE VALVE


PART NO.	YEAR	ENGINE MODEL	CYL	VEHICLE		IN EX	DIMENSIONS						REMARKS
				NAME	MODEL		HD	OL	SD	SA	HS	CG	
			4	R4		IN	28.2	73.0	7.0	45°	d	7	
						EX	25.0	73.7	7.0	45°	d	8	
				4L R4L		IN	28.2	73.2	7.0	45°	d	3	
						EX	25.0	73.7	7.0	45°	d	8	
7701458186/0			4	R5, R12	RENAULT 1100/1300	IN	33.3	89.8	7.0	45°	c	7	7700509771
7701458190				R5GTL		EX	30.3	89.2	7.0	45°	c	8	7700505115
770561318		688		4S		IN	33.3	89.8	7.0	45°	c	3	
7700505115						EX	30.1	89.2	7.0	45°	c	8	
7700639627				18TL		IN	34.0	91.5	7.0	30°	c	7	7700561319
7701462137													
7700638247						EX	29.0	89.0	7.0	45°	c	8	7700505115
7700629763				18GTS		IN	36.0	105.0	8.0	45°	c	7	
7700639199				R18		EX	31.5	103.7	8.0	45°	c	11	
7701463081				R21		IN	38.0	111.5	8.0	30°	a	7	
7701463510						EX	32.4	111.4	8.0	45°	c	7	
				18TX	RENAULT2000	IN	44.0	112.0	8.0	30°	c	7	
						EX	38.6	111.4	7.0	45°			
TT01462137				R9, R11	RENAULT 1400	IN	34.0	91.5	7.0	45°	c	7	
TT01461802						EX	29.0	89.0	7.0	45°	c	8	

DAEWOO

90215492			8	CIELO		IN	38.0	101.3	7.0	45°	c	7	
90215491						EX	31.0	101.4	7.0	45°	c	7	
96182806			16	NUBIRA		IN	30.3	102.4	6.0	45°	c	7	
96182805						EX	26.0	102.1	6.0	45°	c	7	
12911-78B00		F8C	4			IN	35.6	110.6	5.5	45°	c	7	
96352793													
12915-78B00						EX	31.8	110.4	5.5	45°	c	7	
90412277		X20XE	8		LEGANZA 16V	IN	32.0	102.1	6.0	45°	c	11	
90410813						EX	29.0	92.2	6.0	45°	c	11	
2848			6			IN							
2848						EX							
1146			6			IN							
1146						EX							

VOLKSWAGEN/AUDL

ENGINE VALVE



PART NO.	YEAR	ENGINE MODEL	CYL	VEHICLE		IN EX	DIMENSIONS						REMARKS
				NAME	MODEL		HD	OL	SD	SA	HS	CG	
056-109-601A						IN	34.0	99.0	8.0	45°	a	11	
056-109-611A						EX	31.2	98.5	8.0	45°	d	11	
				V.W. 1300		IN	33.1	111.6	8.0	45°	d	11	
						EX	31.8	111.6	8.0	45°	c	11	
311-109-601		62/70	4	V.W. 1500		IN	35.5	112.0	8.0	45°	c	11	
113-109-612A		56/74		V.W. 1600		EX	32.0	112.0	8.0	45°	d	11	
049-109-601			4	V.W. 1800		IN	38.0	91.5	8.0	45°	a	11	035-109-601H
				(SANTANA)									
026-109-611A				AUDI 5000 GAS		EX	33.0	91.1	8.0	45°	a	11	035-109-611H
030-109-601C				V.W. GOLF		IN	36.0	99.3	8.0	45°	c	11	
030-109-611A						EX	28.9	99.0	8.0	45°	c	11	

PEUGEOT

0948-30		204	4	PEUGEOT 204		IN	37.0	126.4	8.0	60°	c	7	
0949-28						EX	29.5	125.5	8.0	45°	c	7	
0948-47		305	4	PEUGEOT 305		IN	40.0	109.0	8.0	45°	c	7	
0949-52						EX	33.0	108.2	8.0	45°	a	7	
0948-34		404	4	PEUGEOT 404		IN	41.5	118.5	8.0	60°	c	7	0948-30
0949-21						EX	35.5	112.0	8.0	45°	c	7	0949-21
0948-33		504	4	PEUGEOT 504	504	IN	42.5	118.5	8.0	60°	c	7	0948-29
					504 INYECCION								
					1.8L	EX	35.5	112.0	8.0	45°	c	7	
0948-55		505	4	PEUGEOT 505	505	IN	42.6	118.6	8.0	60°	c	7	
					505 INYECCION								
					2.0L	EX	35.6	112.1	8.0	45°	c	7	
0948-27		404	4	PEUGEOT 404(D)		IN	40.4	117	8.5	45°	c	7	
0949-27													
0949-25						EX	33.5	116.2	8.5	45°	a	7	
0948-34		504	4	PEUGEOT 504 (D)		IN	40.4	116.3	8.5	45°	c	7	
0948-37													
0949-25						EX	33.5	116.4	8.5	45°	a	7	
0948-37		505	4	PEUGEOT 505(0)		IN	40.4	116.3	8.5	45°	a	7	
0949-25						EX	33.5	116.4	8.5	45°	a	7	

PART NO.	YEAR	ENGINE MODEL	CYL	VEHICLE		IN EX	DIMENSIONS						REMARKS
				NAME	MODEL		HD	OL	SD	SA	HS	CG	
				TA70		IN	33.0	88.5	7.0	45°	a	3	
				A7									
				SA70		EX	27.0	88.5	7.0	45°	a	3	
				TA80		IN	36.0	95.0	7.0	45°	a	3	
				A8		EX	30.0	95.0	7.0	45°	a	3	
				SA80									
				TF60		IN	29.0	80.3	7	60°			
						EX	24.5	80.0	7	45°			
				TF75		IN	33.0	84.0	7.0	60°	a	3	
				TF85		EX	28.0	83.5	7.0	45°	a	3	
				TF90		IN	32.5	84	7.0	60°			
						EX	27.5	83.6	7.0	45°			
				TF105		IN	37.0	96.4	8.0	60°	a	3	
						EX	31.0	96.4	8.0	45°	a	3	
				TF120		IN	37.0	96.4	8.0	60°			
						EX	31.0	96	8.0	45°			
				TF160		IN	42.0	106.0	9.0	60°			
						EX	35.5	106	9.0	45°			
				SK230		IN	29.0	87.2	7.0	45°	a	3	
						EX	26.0	87.3	7.0	45°	a	3	
BBY100205				T240		IN	80.0	338	15.92	60°			
BBY100206						EX	80.0	348	15.92	45°			
				D800		IN	30.0	92.2	6.6	45°	a	7	
						EX	28.0	91.7	6.6	45°	a	7	
				YM3T72		IN	31.0	89.95	7.0	45°			
						EX	27.5	89.95	7.0	45°			
				YM3TNE68		IN	27.0	77.2	5.5	30°			
						EX	23.0	76.6	5.5	45°			
				YM3D72	878CC	IN	29.5	87.0	7.0	60°			
						EX	25.0	87.2	7.0	45°			
129900-11100				YM4TNE94		IN	41.0	115	8.0	30°			
129900-11110				4D94E		EX	35.0	115.2	8.0	45°			
				3T84		IN	30.0	113.0	8.0	45°			
				K3H		EX	28.0	113.0	8.0	45°			
129322-11100				3D84		IN	37.0	100.4	8.0	30°			
129322-11110						EX	31.0	100.0	8.0	45°			
				3D84 (OLD)		IN	36.3	100.4	8.0	45°			
						EX	30.4	100.0	8.0	45°			
				3D84 (NEW)		IN	35.0	109.0	8.0	60°			
						EX	30.0	109.0	8.0	45°			
129100-11100				3D84L		IN	35.0	109.0	8.0	30°			
129100-11112				3TN84		EX	30.0	109.0	8.0	45°			
				3TN100		IN	43.5	121.0	9.0	60°			
						EX	37.5	121.0	9.0	45°			
				4D85		IN	33.2	101.5	8.0	45°			
						EX	27.0	101.5	8.0	45°			
				4TNV94		IN	33.0	102.8	7.0				
						EX	28.0	102.8	7.0				

PART NO.	YEAR	ENGINE MODEL	CYL	VEHICLE		IN EX	DIMENSIONS						REMARKS
				NAME	MODEL		HD	OL	SD	SA	HS	CG	
148616-11101 148616-11111				6LA-DT		IN EX	49.0 49.0	180 180	11 11	60° 45°			
126634-11101 126634-11111				6HA-DT		IN EX	43.0 43.0	161 161	9.94 9.94	60° 45°			
126650-11100 126650-11110				6HA-HT		IN EX	57.5 47.0	158.5 158.5	11.9 11.9	60° 45°			
127616-11100 127616-11110				6CH-DT		IN EX	35.0 35.0	131.2 131.0	8.0 8.0	60° 45°			
127610-11100 127610-11110				6CH-HT		IN EX	47.0 39.0	135.1 135.0	9.94 9.95	60° 45°			
128619-11100 128619-11110				6GH		IN EX	39.0 40.0	145.1 145.1	9.0 9.0	60° 45°			
144679-11100 144679-11110				6KH		IN EX	44.0 44.0	165.9 165.9	10.0 10.0	60° 45°			
BBY100265 BBY100266				6GL		IN EX	80.0 80.0	345.5 364.5	18.0 17.9	45° 45°			
146673-11720 BY0800100 BY0800200				6NY21L/6N21AL		IN EX	68.0 68.0	308.2 308.0	14.0 14.0	60° 60°			
BY0700100 BY0700200				6N18L		IN EX	58.0 58.0	287.2 287.0	14.0 14.0	60° 60°			
2440 2441				KL		IN EX	62.8 58.0	188.0 188.0	13.9 13.9	60° 60°			
BY050010B BY050020A				M200		IN EX	66.0 66.0	282.1 283.0	13.93 13.92	60° 45°			
BY990020A BY990030A				M220		IN EX	73.0 73.0	304.5 304.5	15.92 15.84	60° 45°			
				MAL		IN EX	83.0 78.0	281.1 281.1	17.90 17.90	60° 60°			
				6R		IN EX	72.0 72.0	237.7 237.7	15.88 15.88	60° 60°			
				LD		IN EX	58.0 58.0	188.0 188.0	13.92 13.92	60° 60°			
152623-11100 BY-02-0010A 152623-11131A BY-02-004				S165		IN EX	55.0 55.0	223.0 223.0	12.0 12.0	60° 45°			
BY040010A BY040020A				S185		IN EX	62.0 62.0	282.0 282.0	13.9 13.9	60° 45°			
				6RY			56.0	223.0	12.0	45°			
				6RY			52.5	195.0	11.0	45°			

PART NO.	YEAR	ENGINE MODEL	CYL	VEHICLE		IN EX	DIME						REMARKS
				NAME	MODEL		HD	OL	SD	SA	HS	CG	
173200-11100				F4 NT65		IE	27.0	93.5	7.0	60°	a	3	
101204-11100				F5 NT70		IE	29.0	104.0	7.0	60°	a	3	
101300-11100				F6 NT75		IE	31.0	107.0	8.0	60°	a	3	
102700-11100				F7 NT80		IE	33.0	112.0	8.0	60°	a	3	
101400-11100				NT85		IE	35.0	118.0	9.0	60°	a	3	
173500-11100				NT95		IE	40.0	130.0	10.0	60°	a	3	
103300-11100				NT110		IE	47.0	167.0	12.0	60°	a	3	
104100-11100				TS50,TH3		IN	29.0	92.5	7.0	45°	a	3	
104100-11110					EX	25.0	92.5	7.0	45°	a	3		
104200-11100				TS60,TH4		IN	32.0	96.8	7.0	45°	a	3	
104200-11110					EX	27.0	96.8	7.0	45°	a	3		
101218-11100				TS70/80 TH6		IN	33.5	106.0	7.0	45°	a	3	
101218-11110					EX	27.5	106.0	7.0	45°	a	3		
103438-11100				TS105 TH7		IN	36.5	113.0	8.0	45°	a	2	
103438-11110					EX	30.5	113.0	8.0	45°	a	2		
104600-11100				TS130 A12 TH8		IN	38.5	114.0	8.0	45°	a	3	
104600-11110					EX	32.5	114.0	8.0	45°	a	3		
103854-11100				TS155 TH10		IN	40.0	126.0	9.0	45°	a	7	
103854-11110					EX	36.0	126.0	9.0	45°	a	7		
103954-11110				TS180 TH13		IN	43.0	125.0	9.0	45°	a	7	
103954-11110					EX	33.5	125.0	9.0	45°	a	7		
105990-11100				TS190/TS230		IN	49.0	136.0	9.0	60°			
105990-11110					EX	39.0	136.0	9.0	45°				
106990-11110													

HYUNDAI

ENGINE VALVE



PART NO.	YEAR	ENGINE MODEL	CYL	VEHICLE		IN EX	DIME						REMARKS
				NAME	MODEL		HD	OL	SD	SA	HS	CG	
22211-22003			8		ACCENT 1.3-1.5 12V	IN	27.4	99.0	6.0	45°	d	7	
22212-22011			4		LANTRA1.5 12V	EX	32.0	98.4	6.0	45°	c	7	
22211-42220		4DBA/ BB	4		SHAHZORE H100	IN	42.0	132.0	8.0	45°			
22212-42220						EX	36.0	132.0	8.0	45°			
2211-42200			4		STARLEX H-1 2.5TD	IN	42.0	135.5	8.0	45°	d	7	
22212-42200		D4BB Diesel				EX	36.0	135.5	8.0	45°	d	7	
22211-23000					LANTRA2.0	IN	32.0	102.3	6.0	45°	c	2	
22212-23000		64DM			16V	EX	27.5	104.7	6.0	45°	A	2	
					12V	IN	32.0	102.3	6.0	45°	c	7	
		G4HC				EX	23.5	100.4	5.5	45°	c	7	
22211-02200			8			IN							
22212-02200			4			EX							
22211-02500			8		SANTRO	IN	23.0	100.4	5.5	45°			
22212-02500			4			EX	27.0	100.1	5.5	45°			

KUBOTA

		E8				IN	34.0	88.7	7.0	45°			
						EX	29.0	88.7	7.0	45°			
		E9				IN	38.2	93.2	8.0	45°			
						EX	32.0	93.2	8.0	45°			
		E20				IN	48.0	125.7	9.0	45°			
						EX	40.0	125.3	9.0	45°			
19517-13110		ER2500				IN	52.0	125.0	9.0	45°			
19517-13120						EX	43.0	125.0	9.0	45°			
15221-13110		Z75				IN	33.0	101.0	8.0	45°			
15221-13120						EX	27.0	101.0	8.0	45°			
15901-13112		ZB600				IN	31.0	89.6	7.0	60°			
15901-12122						EX	27.5	89.6	7.0	45°			
14109-1314-2		KND45				IE	28.0	110.0	7.0	45°			
		RK125				IN	40.0	93.3	8.0	45°			
						EX	34.0	93.3	8.0	45°			
		L2000				IN	33.0	100.8	8.0	45°			
						EX	27.0	101.4	8.0	45°			
		V2203				IN	37.5	101.5	8.0	45°			
						EX	32.0	101.5	8.0	45°			

MARKER	VEHICLE MODEL	IN/EX	REFERENCE NO.	
	3304T	IN	7N0572 6N9915	
		EX	7N0573 6N9916	
	3304NT 6DC/D4D	IN	5S6452	
		EX	5S7273 5S6449	
	3204NA	IN	8N5645	
		EX	8N0875	
	3204T	IN	9L7682	
		EX	9L7683	
	3304T	IN	6N9915	
		EX	6N9916	
	NAT	IN	9N0180	
		EX	9N0185	
	6DC D4D	IN	7M7817	
		EX	9M4163 7M7359	
	D9	IN		
		EX	8H7097 8H3723	
	D7 D8	IN	2A3447 2A3497	
		EX	6F4922	
	D7H D8H	IN	8H1993	
		EX	8H1994	
	D343	IN	2M6402	
		EX	2M6403	
	D3406	IN	4N5645 2W2622 1W3859	
		EX	4N5653 1W3860	
		IN	1P407	
		EX	1P2629 2S0978 8N3725	
		IN	2S8143	
		EX	1S2903	
		IN	9N6117 2W2621	
		IN	7S8809	
		EX	9N5125	

CATARILLAR

ENGINE VALVE



MARKER	VEHICLE MODEL	IN/EX	REFERENCE NO.	
	3408	IN	1152367	
	3408	EX	1152368	
		IN	2243028	
		EX	2243030	
		IN	1537023	
		EX	1537024	

MARKER	VEHICLE MODEL	IN/EX	REFERENCE NO.		
	D155A(4D155)	IN	6127-41-4112	6127-41-4113	
	D355A(6D155)	EX	6127-41-4214	6127-41-4212	
	4D92	IN	6140-41-4111		
	4D94	EX	6140-41-4211	6142-41-4210	
	4D130	IN	6114-41-4110		
		EX	6114-41-4210		
	4D95/6D95 45°	IN	6204-41-4110		
	4D95/6D95	EX	6204-41-4210		
	4D95/6D95 30°	IN	6209-41-4110	6207-41-4110	
	6D95	EX	6209-41-4210	6207-41-4210	
	4D110/6D110	IN	6136-41-4110	6138-41-4110	
		EX	6136-41-4210		
	4D105/6D105	IN	6136-42-4110	6138-42-4110	
		EX	6136-42-4210		
	4D105	IN	6130-41-4121	6130-41-4131	
	S4D105	EX	6130-41-4210		
	S4D120	IN	6110-41-4110	6110-43-4110	
	4D120	EX	6110-41-4210	6110-43-4210	
	6D115	IN	6101-41-4110		
		EX	6101-41-4210		
	D455	IN	6140-41-4110	6140-41-4210	
	DA21A DA20A	EX	6140-41-4211		
	S6D125 (OLD)	IN	6150-41-4111		
		EX	6150-41-4210		
	S6D125 (NEW)	IN	6150-42-4111		
		EX	6150-42-4210		
	6D170	IN	6162-43-4110		
		EX	6162-43-4210		
	S6D170E-3	IN	6240-41-4110		
		EX	6240-41-4210		
	6D102	IN	6736-41-4110		
		EX	6736-41-4210		
	6D108	IN	6221-41-4110		
		EX	6221-41-4210		
	6D140 (NEW)	IN	6215-41-4110		
		EX	6215-41-4212		
	6D140 (OLD)	IN	6210-41-4110		
		EX	6210-41-4210		
	NTA855	IN	135957	6710/12-41-4110	CUMMINS
	NT855/NH250	EX	145701/3040830	6710-41-4210	
	NH220	IN	150288	6610-41-4110	CUMMINS
		EX	144911	6610-41-4210	
	VT903	IN	MR-216707		CUMMINS
		EX	MR-138887		
	KT/KT19	IN	A3088393		CUMMINS
		EX	3088391AF		
	6BT	IN	FP3920868E		CUMMINS
		EX	FP3920867E		
	6CT	IN	3924492		CUMMINS
		EX	3921444		
	LT10	IN	3033234		CUMMINS
		EX	3818520		
		IN	3800340/3942588		CUMMINS
		EX	3800341/3942589		



VALVE GUIDE



CAR MODEL	ENGINE TYPE	OE PART NUMBER	
TRUCK V202 2500-3000CC	DG	11122-56030	
HIJET-COURE S40-60-L45 5500	AB-CB-CD	11124-87701	
CHARADE 1000CC	CL	11124-87702	

HINO

TRUCK KF · TC · HE BUS BG · RC	DK10 · DK20 NEW	11121-1070	
		11125-1100	
TRUCK RANGER KL BUS RL · AM	EC100	11122-1050	
		2380-1925-00	
		11126-1060 2380-1926-00	
TRUCK · BUS KF · ZM · 2C120 2Z150G 10TON	ED100	11122-1100A	
		2400-1907-00	
		11126-1080A 2400-1908-00	
TRUCK · BUS KB · TC	EB100 · EB200 · EB300	11121-1120	
		2330-1308-12	
	EB300	11125-1180 2330-1309-11	
RANGER RL · KJ · KL BUS BX · AM	EH100	11122-1090A	
		2382-1912-00	
		11126-1050A 2382-1913-00	
RANGER KL501 · KR BUS RD	EH300 NEW	11122-1070-00	
		11126-1041-00	
RANGER FD · FT175 BUS RD301 · RJ	EH500 EH700	11122-1060	
		11122-1200	
		11122-1201	
TRUCK · BUS ZM500 V8	EF700 · 750 EF300 · 350 EF500 · 550	11122-1040A	
		11122-1150	
FH · TC · FN · ZM · KF	EK100 · EK200	11122-1011	
		11122-1160	

HINO

VALVE GUIDE



CAR MODEL	ENGINE TYPE	OE PART NUMBER	
TRUCK · BUS TC · BD35 · ZC34 8000CC	DS50-DS60(NEW)	11121-1060	
		11125-1090A	
TRUCK · BUS	DS50	11121-1180	
		11125-1120	
TRUCK · BUS	DS70 DS90	11125-1200	
TRUCK · BUS	DM100 DQ100	11121-1160	
		11125-1150	
TRUCK · BUS FG · LB · KK	EL100	11122-1080	
		11126-1070	
TRUCK · BUS	EM100	11122-1120	
TRUCK · BUS	ER200 ER100	11122-1110	
TRUCK · BUS	EP100 F20C	11122-1130	
TRUCK · BUS TRUCK · BUS RANGER KM	EF100 EF300 EG100	11122-1020	
		11126-1020	
	W04D · W06D	11122-1140	
		11122-1030 11126-1030	
	EB100	11121-1120	
		11125-1180	
	H06C · H07C	11122-1180	
	JO8C JO7C	11122-1220	

HONDA

ACCORD 1800CC, CIVIC	EV	12204-PC6-305	
		12205-PE0-305 12205-PE0-315 12205-657-310 12205-657-315	
CIVIC	EF · EK · ED · EB	12208-634-000	
		12208-634-920	
		12209-634-000	
		12209-657-305	
	ED	12204-634-920	
		12209-634-620	
		12209-634-670	

HONDA

VALVE GUIDE



CAR MODEL	ENGINE TYPE	OE PART NUMBER	
CIVIC ACCORD	ED,EB EF	12204-634-920	
		12205-657-305	
		12205-657-310	
ACCORD	EK,EP	12204-689-300	
		12204-689-305	
		12205-689-300	
		12205-689-305	
	ER	12204-PA6-300	
		12204-PA6-305	
		12205-657-310	
		12205-657-315	
	D15B PT	12204-PJ7-305	
		12205-PJ7-003	
		12205-PJ7-305	
		12205-PB9-305	
		12205-PE0-310	
		12205-PE0-315	
CIVIC 1600	ZC	12204-PG6-305	
		12205-PG6-305	
PRELUDE · INTEGRA	B20,AB,AC,AD	12204-PC6-305	
		12205-PC6-305	
PRELUDE	EK ES	12204-PC6-305	
		12205-689-305	
ACCORD	EW	12204-634-920	
		12205-657-310	
		12205-657-315	
		12204-PM7-305	

ISUZU

ELF67~80 GEMINI/LUV TROPPER	C221,C240,C190	9-11721-001-0	
		9-11721-113-0	
		5-11721-006-0	
		9-11721-123-0	
ELF 80~ LUV TROPPERS UBS52	C190,C240(NEW)	5-11721-016-0	
GEMINI KB20, LUV 1400-1600cc WFR VAN/WAGON TROPPER UBS16	G181Z, G161, G180, G200, 4ZA1, 4ZB1, 4ZD1	8-94206-762-0	
		8-94206-763-0	
TRUCK	4FB1,4FA1,4FC1	5-11721-015-0 5-11721-015-1	

CAR MODEL	ENGINE TYPE	OE PART NUMBER	
ELF TLD ELF KS / NPR SBR JBR / JCR	C330, 4BA1, 4BC2, 4BD1 6BB1, 6BD1	5-11721-001-0 5-11721-010-0	
TRUCK TSD, TXD BUS BA, BF, BXD	DA120 DA120, DA040, DA640	9-11721-088-0 9-11721-160-0	
TRUCK	DH100	9-11721-120-0	
TRUCK TMK, SPG, TG BUS BU, CPA	E110, D920, 6GA1 6QA1 E120, 4VALVE	9-11721-165-0 9-11721-212-0	
TRUCK TV	8MA1, 6RA, GRB, 4VALVE	1-11721-001-0	
TRUCK SRG, SRK BUS CRA / TRACTOR	10PA1, 12PA1 10PA1	1-11721-004-0	
BELLET	G150, G201	9-11721-109-0	
GEMINI 1500cc	4XC	8-94176-717-0 8-94176-718-0	
GEMINI / LUV	G161, G180 4EC1	9-11721-156-0 8-94239-423-0	
	6HE1 6SA1	8-94396-598-0 1-11721-008-0	
	6HK1 6HH1-24V 4JJ1	8-97376-720-0 8-94390-780 8-94239-423-0	

KOMATSU

TRACTOR BULLDOZER D50S	4D120 NEW	6110-13-1311	
D155A · D355A	4D155 · 6D155 4VALVE NEW	6127-11-1341	
D30 · D31	4D105 · S4D105	6130-19-1310	
D40 · D41	6D105	6136-19-1330	
D20A · D21A	2D92 · 4D92 4D94 · 6D94	6140-19-1310 6142-19-1310	
CUMMINS NH220	NH220 4VALVE	6610-11-1310 6610-11-1311	
CUMMINS NH250	NT855 · NH250 4VALVE	6710-11-1311	
	4D95 · 6D95	6204-19-1310 6204-19-1311 6204-19-1312	
	6D125 4VALVE IN EX	6150-12-1341 6150-12-1351	
	6D140	6210-16-1340	

CAR MODEL	ENGINE TYPE	OE PART NUMBER	
	S6D105	6136-19-1430	
		6110-13-1310	
		6136-13-1330	
	6D170	6162-16-1341(NEW)	
		6062-13-1341(OLD)	
	S6D170E-3	6240-16-1341	
	6D108	6221-19-1311	

MAZDA

CAR MODEL	ENGINE TYPE	OE PART NUMBER	
PICK UP	TB	0249-10-130	
FAMILIA · BONGO	PB	0249-10-140	
SPA · FPA 1000CC		0259-23-081	
CAPELLA · BONGO	NA · MA	0305-12-280	
SNA · 808 · 626		0305-12-290	
B1600-B2000	HA NEW E3 / 5	8173-23-090	
323 · 929/929L	VC		
TRUCK TITAN AEX	XA · XB · HA · ZB · S2	0636-10-104	
E / T2500 · 2700			
B2200			
E2200			
TRUCK TITAN TVA	VA NEW	0552-10-105	
E / T2000			
E2000			
TRUCK TITAN TA3	HA(NEW) · XA · SL	SE01-10-104	
E / T3000			
E2000			
CAPELLA 626 · LUCE 929	FE · F6/8 · MA	F801-23-090	
1800CC · 2000CC			
FAMILIA PICK UP	NA · MA · PC · TC · VC	0305-23-090	
B1600		0305-23-280	
929		0305-10-280	
929L		0305-10-290	
BONGO E2200	RZ · S2	RF01-10-280	
		RF01-10-290	
FAMILIA	E5	47Y6-10-290	
		0240-10-140	
TITAN 3500	TF	TF01-10-281	
		B6Y0-10-290	
323	B6	B6Z0-10-280	
		B6Z0-10-290	
	F2	F2Y1-10-280A	
		F2Y1-23-091	
	WL-BT50	B6Z0-10-290	
	WL	WLY1-10-280	

CAR MODEL	ENGINE TYPE	OE PART NUMBER	
GALANT · LANCER 1200-1600CC SAPPORO	4G31 · 4G32 · 4G33 · 4G36 4G37	MD000461	
		MD079880	
		MD000471	
		MD079661	
MINICA 550CC COLT	2G23 · 2G23B	MD016441	
		MD079660	
	G11B · G12B · G13B · G15B	MD016445	
		MD079661	
GALANT · CANTER 1800-2000CC PAJERO · ARROW	G52 · G62 4G52 · 4G54 · 4G63	MD020551	
		MD020561	
	4G61-T 4VALVE	MD126605	
		MD126608	
TRUCK CANTER BUS MB720	4DQ	31301-10600	
		31301-10601	
TRUCK CANTER JEEP · BUS ROSA	4DR · 6DR · 4DQ 4DR1 · 4DQ1	30601-25600	
TRUCK T620-653 BUS B · MR	4DR · 6DR NEW	ME001179	
		ME001188	
TRUCK T654 · FK103 BUS MK103 · 6D14	6DS	ME020158	
TRUCK FK116 · FE BUS MK116 · FE CANTER	6D10 · 6D14 · 6DS1 · 4D30	ME031293	
PAJERO	4D30 · 6D15 4D31 · 4D33	ME031886	
		ME031888	
TRUCK R400 · W110 BUS BB20 · MR410	4D55 · 4D56	MD050523	
		MD050527	
TRUCK FS · FU · FV BUS B · MS	6DB NEW	30001-10602	
		30001-10603	
TRUCK BUS	8DC · 6D22 · 6DC2 · 8DC2 6DB	ME051120	
		ME051122	
COLT	6DE	33301-00700	
	4G41	MD010461	
		MD010466	
	4DRS	31601-11600	
		MD010462	

CAR MODEL	ENGINE TYPE	OE PART NUMBER	
CAT. GCA-73-0 GCB-73-0		34601-10600 34201-01600	
	S4S	32A01-01600	
GALANT	4D65	MD076354 MD076358	
		ME200007 ME200009	
	4M40	ME-201501 ME201504	
	4G92	MD300702 MD-172530	
	S6KT	34201-01600 34601-10600	

NISSAN

BLUENIRD, TRUCK 210, 410, 521, 620 E20	J13, J15, J16 J20	13211-30001	
		13213-30002	
		13211-01W10	
		13213-01W10	
SUNNY, CHERRY 1000-1200cc 100Y N10 120Y B110/B210	A10, A12, D11	13212-H0110	
		13212-H0111	
		13212-H0112	
		13213-H0110	
SUNNY, PULSAR 1400cc 140Y R310	A14	13212-H2311	
		13213-H2311	
SUNNY, PULSAR 1500cc	A15	13212-H0111	
		13212-H0112	
		13213-H0111	
		13213-H0112	
BLUEBIRD 510-810 1300, 1600, 2000cc 160B, 140J / 160J, 180B, 240KGT	L13, L14, L16, L18, L20(A) L24, LD20	13212-21000	
		13212-21010	
		131212-21011	
		13213-21000	
		13213-21010	
		13213-21011	
BLUEBIRD, SKYLINE 1600-2000cc URVAN E23	Z16, Z18, Z20 LD20	13212-W0400	
		13212-W0410	
		13213-21G10	
		13213-W0410	
MARCH · WICRA 1000cc	MA10	13212-01B01	
		13212-01B11	
		13213-01B01	
		13213-01B11	

CAR MODEL	ENGINE TYPE	OE PART NUMBER		
SUNNY, PULSAR 1500cc SENTRA	E10 · E13 · E15	13212-01M01		
		13212-01M11		
		13212-15M00		
		13212-15M01		
		13212-15M11		
		13213-01M01		
		13213-01M11		
BLUEBID, STANZA LISERTA 1800cc SUNNY DIESEL SENTRA	CD17, CA18, RD28	13212-D0110		
		13212-D0111		
		13212-D0112		
		13213-D0110		
			13213-D0111	
			13213-D0112	
			13213-V5514	
		CA18 4VALVE	13212-58S60	
		13212-D4260		
CEDRIC V20, V30, Y30 SKYLINE R31 ALTIMA A31	RB24, RB30, VG20, VG30	13212-V5010		
		13212-V5011		
		13213-V5010		
		13213-V5011		
		VG30 4VALVE	13212-F6560	
			13213-F6560	
	CA13, GA15, GA16E 4VALVE	13212-53Y60		
		13212-53Y60		
		13212-W0500		
		13212-W0510		
		13212-W0500		
		13213-W0510		
CABSTAR	ED6, FD6, FE6 (NEW)	13211-J6500		
		13211-Z5500		
		13212-J6500		
TRUCK, CONDOR BUS RM, CM 3 - 3.5ton	ED30, ED33	13212-J2000		
	ED60, ED6, FD6, FE6(OLD)	13211-Z5000		
		13211-Z5001		
		13213-Z5001		
DATSUN TRUCK, CEDRIC HOMY 2800cc, JUNIOR	SD23, SD25	13211-V1700		
		13212-V1700		
ATLAS	TD25, 27	13212-43G01		
		13212-43G02		

CAR MODEL	ENGINE TYPE	OE PART NUMBER	
TRUCK 680, PATROL	P40	13212-58001	
		13213-58001	
	P40	13212-C6000	
		13212-C6001	
		13213-C6000	
	13213-C6001		
TRUCK CK, DU, UG 6.5ton	ND6	13211-95000	
	ND6 NEW	13212-97000	
TRUCK CD, CK, CV 8-10ton BUS UM	PD6, PE6, PF6	13212-96002	
		13211-97001	
	NEW	13211-96004	
		13212-96006	
TRUCK WD, WG, CW BUS RA, DA	RD8, RD10	13212-97000	
	RE8, RE10	13211-97001	
TRUCK U, DU, TC, TW BUS	UD3 - 6	13211-90005	
	HIGH CAM		
	NE6	13212-95002	
		13212-95003	
		13212-95004	
		13212-95005	
	PD6	13212-96009	
		13211-96007	
	RF6	13212-95005	
		13211-96009	
	A12 - A15	13212-H2310	
		13212-H2311	
		13213-H2310	
		13213-H2311	
		13212-H8510	
		13213-H8510	
BUS · TRUCK	ND	13211-95001	
AUSTER · BLUEBIRD CEDRIC · LAUREL	L16, L28	13212-U0110	
		13213-U0110	
BUS · TRUCK	PF8	13212-P5002	
		13212-P5005	
CARAVAN · CABSTAR DATSUN TRUCK	J16, J18	13212-24W00	
		13212-24W10	
		13212-24W00	
		13212-24W10	

CAR MODEL	ENGINE TYPE	OE PART NUMBER	
	FD6T/FD6/ED6 FE6T/FE6	13211-Z5501	
		13212-96001 13211-96001	
	NEW RD8(10) RE8(10)/RD10T	13212-97001 13211-97001 /13212-96002	
		13211-97003	
	TB42S	13212-03J10 13213-03J10	
	KA24	13212-40F60 13213-40F60	
		13212-54T00 13212-54T01	
	YD25 IN EX	13212-AD260 13213-AD260	
	GA13 GA16i	13212-77A60 13213-77A60	

SUBARU

SUBARU	EF10, EK21-23	38090-2100	
SUBARU	EA63	88090-8600	
LEONE	EA61 · EA62 EA71 · EA81	88090-4110	
	EA71 · EA81 (OLD)	38091-2100	

SUZUKI

ALTO · CARRY · JIMNY · FRONT 550CC · 800CC VAN · PICK UP · CARRY	F5A · F8A · Y64	11115-73010 11115-73030 11116-73010 11116-73030	
CULTUS · JIMNY SJ410 1000CC VAN, PICK UP	F10A · F10	11115-82000 11115-82001	
ESCUDO	G16A	11115-60B10 11115-60B11	
FRONTE · CERVO · ALTO	F6 · F5B	11115-70B00	

VALVE GUIDE

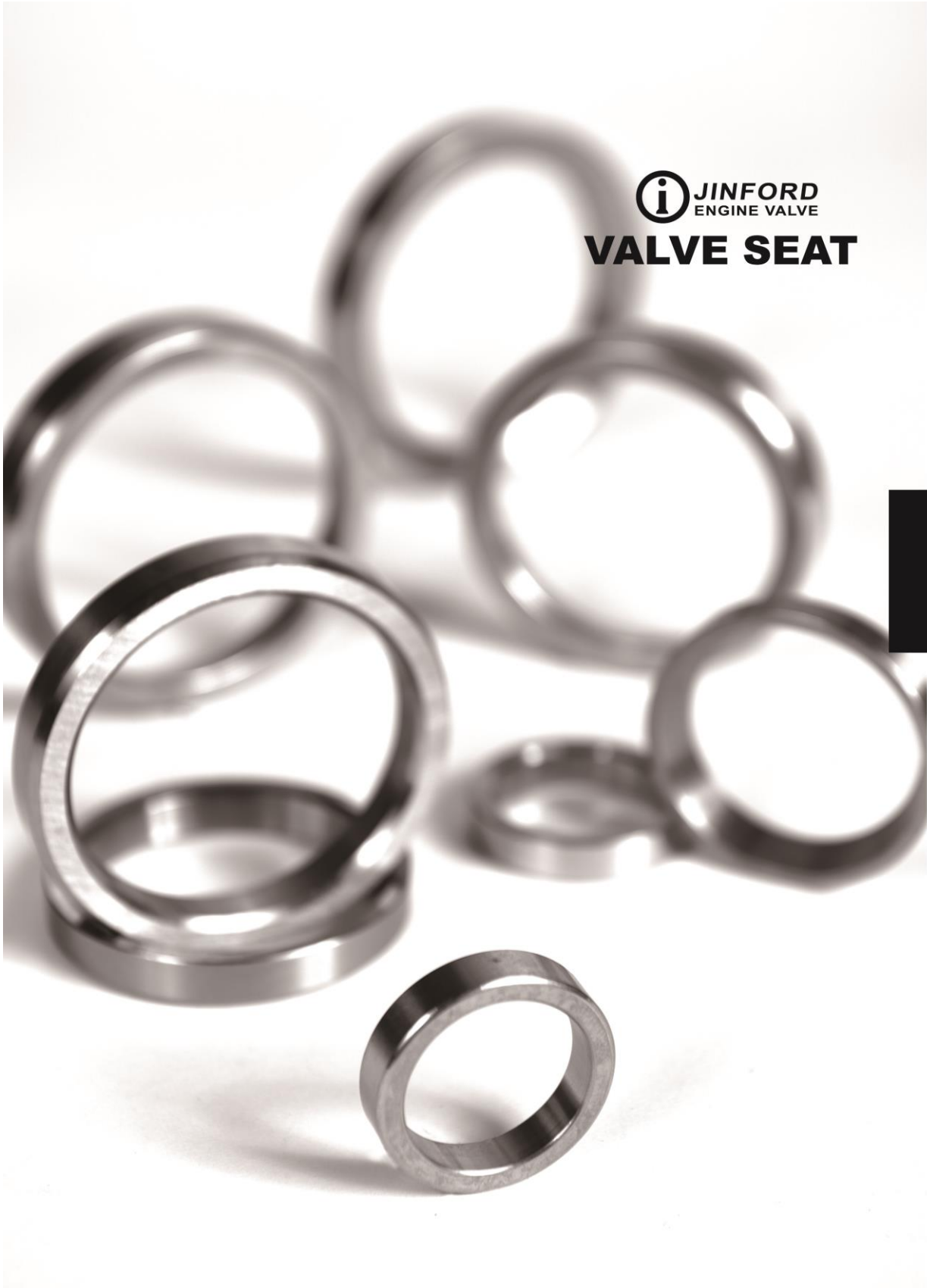


TOYOTA

CAR MODEL	ENGINE TYPE	OE PART NUMBER	
COROLLA · LITEACE · STARLET 1100-1400CC KE	K · 2K · 3K · 4K	11122-24020	
		11126-24020	
COROLLA · CORONA 1600CC TA · TE · TT	2T(12T) 3T	11122-25010	
		11122-25020	
		11122-25021	
		11126-25010	
CORONA · HIACE · HILUX 1300CC PT · PH TOYOACE	3P · 12R	11122-23010	
CORONA · HIACE 1500CC RT · RH · PK	2R(NEW)	11123-31012	
CORONA · HIACE · HILUX 1000CC RH · RN · RT	12R	11122-31020	
MARK 11 · CELICA · CRESSIDA 1600-1700CC RT CORONA	7R · 18R 6R · 8R · 16R	11122-33011	
		11126-33011	
CROWN · STAOUT · DYNA 2000CC RS · RK · RU	5R(NEW)	11122-44011	
CROWN · CELICA 2600CC MS · MX	4M · 5M	11122-41020	
		11126-41020	
		11126-41040	
		11126-45020	
CORSA · TERCEL 1300 · 1500CC AL CORONA COROLLA	2AU · 3AU · 1GE 1S 2A · 3A · 4A	11122-15011	
		11122-15020	
		11126-15011	
		11126-15020	
COROLLA · CAMRY 1800CC CORONA DIESEL	1C	11126-24020	
COROLLA STARLET TERCEL	1E 2E 3VALVE	11122-10040	
COROLLA GT LEVIN	4A 4VALVE 4AG	11122-16010	
		11122-16020	
	3A-4A 4VALVE	11122-15030	

CAR MODEL	ENGINE TYPE	OE PART NUMBER	
LITEACE · HIACE 1800CC · 2000CC CROWN · CRESSIDS · HI LUX	2V · 3V	11122-71010	
		11122-71020	
	1Y · 2Y · 3Y · 4Y	11126-71010	
		11126-71020	
COROLLA	K · 2K · 3K	11122-22020	
		11126-22020	
	2R	11123-31011	
		11126-31011	
CRESSIDA	1G · 1GE (OLD)	11126-15020 11126-70020	
CRESSIDA · CELICA · CORONA CROWN HI LUX DYNA	20R-22R (OLD)	11122-38021	
		11122-38010	
		11122-38020	
		11122-35020	
CROWN 70-79 DYNA STAOUT	5R	11122-44010	
DYNA · COASTER(D) 2300-2500CC TOYOACE	J · 2J · H	11122-46010	
		11126-46010	
DYNA · LANDCRUISER 3000-3500CC COASTER	B · 2B · 3B · 13B NEW	11122-56010	
		11122-56020	
		11122-56021	
		11126-56021	
		11122-56030	
CROWN · MARK · CRESSIDA DIE 2200-2400CC LITE ACE	L · 2L	11122-54010	
		11122-54011	
	3L	11122-54020	
DYNA · LANDCRUISER 3600-4000CC	H · 2H	11122-68010	
TRACK 6TON LANDCRUISER	F	11122-60010	
		11122-60011	
		11126-60010	
		11126-60011	
	F · 2F	11122-60020	
		11126-60021	
		11126-60020	
	2F · 3F	11122-61010	
		11122-61011	
		11126-61010 11126-61011	

CAR MODEL	ENGINE TYPE	OE PART NUMBER	
TRUCK · BUS · DA · DB 5800-6500CC	D · 2D	11122-76010 11122-76020	
CELICA · CARINA CORONA · CRESSIDA	18R	11122-34010	
CARINA · CORONA DIESEL LITEACE	1C · 2C	11122-64010	
		11126-64010 11126-64020	
CROWN	3R · 5R	11122-40010	
		11126-40010	
CHASER · CELICA CARINA · CRESTA	1S · 2S · 3S	11122-63020	
		11126-63020	
CROWN · CELICA 2800 SUPRA 84~86	5ME · 5MG · 6MG	11122-43010	
CELICA · CARINA 1600 CHASER · CAMRY	3T · 13T	11122-25040	
		11126-25040	
		11122-10030	
		11126-10030	
		11122-75010	
		11122-78010	
	15B	11122-58010	
	3V	11122-65020	
	2TR	11122-75020	
	3ZZ	11122-22030	
	2RFB IN	11122-31050	
	2RFB EX	11126-31030	



i JINFORD
ENGINE VALVE
VALVE SEAT

ENGINE MODEL	CYL NO.	IN EX	PARTS NUMBER	INTERCHANGEABLE	
ED100	6	IN EX	11131-1080A 11135-1180A	11131-1981A	
EK100	6	IN EX	11131-1020A 11135-1010C	11131-1180A 11135-1210A	
EF300 EF350 EF500 EF700 EF750	V8	IN EX	11131-1031A 11131-1160A 11135-1031B		
EH700 HO6CT	6	IN EX	11131-1140A 11135-1240A	11131-1230 11135-1420	
EL100	6	IN EX	11131-1050A 11135-1210A		
EP100	6	IN EX	11131-1190A 11135-1310	11131-1240	
HO7C	6	IN EX	11131-1220A		
EM100		IN EX	11131-1330 11135-1300		
EF750		IN EX	11131-1020 11135-1370		
DK10		IN EX	2-301-1008-0		
F20C		IN EX	11131-1320 11135-1160	11135-1460	
JO8C		IN EX	11131-1380 11135-1720		
W04D		IN EX	11131-1210 11135-1320		
DS50		IN EX			
DM100		IN EX			
N04C		IN EX	S1113-11540 S1113-51780		

ENGINE MODEL	CYL NO.	IN EX	PARTS NUMBER	INTERCHANGEABLE	
4BB1/4BD1 6BB1/6BD1	4 6	IN	9-11715-607-0 5-11715-018-1	9-11715-081-0 5-11715-024-0 9-11715-054-0 9-11715-034-0	
		EX	9-11711-803-0 5-11711-028-0	9-11711-100-0 1-11711-043-0 5-11711-022-0	
4BC1	4	IN EX	5-11715-018-0 5-11711-021-0	5-11711-022-0	
4BC2	4	IN EX	1-11715-034-0 5-11711-028-0		
4BA1	4	IN EX	5-11715-018-0 5-11711-022-0		
C190 C240	4	IN EX	9-11715-054-0 9-11711-066-0	9-11715-801-0 9-11711-801-0	
C190 C240	4	IN EX	5-11715-023-0 5-11711-026-0		
E120	6	IN EX	9-11715-135-0 9-11711-135-0	9-11715-131-0 9-11711-025-0	
4FB1 4FC1	4	IN EX	8-94105-292-0 8-94105-239-0	8-94228-701-0 8-94228-702-0	
DH100	6	IN EX	9-11715-126-0 9-11711-145-0	9-11715-118-0 9-11711-148-0 9-11711-149-0	
8PA1 10PA1 10PB1	8 10	IN EX	1-11715-032-0 1-11711-020-0	1-11715-023-0 1-11715-149-0 1-11711-024-0 1-11711-037-0	
10PA1	10	IN EX	1-11715-025-0 1-11711-016-0		
6RA1 6RB1	6	IN EX	1-11715-035-0 1-11711-025-0		
DA120	6	IN EX	1-11715-005-0 1-11711-005-0		
DA640	6	IN EX	9-11715-123-0 9-11711-141-0		
E110	6	IN EX	9-11715-069-0 9-11711-127-0	9-11715-112-0 9-11715-125-0	
4JB1	4	IN EX	8-94130-559-0 8-94130-558-0	8-94331-522-0 8-94331-521-0	
6BG1	6	IN EX	1-11715-054-0 1-11711-043-0	1-11715-040-0 1-11715-050-0	
6RB1	6	IN EX	1-11715-059-0 1-11711-044-0	1-11715-073-0	

MITSUBISHI

VALVE SEAT



ENGINE MODEL	CYL NO.	IN EX	PARTS NUMBER	INTERCHANGEABLE	
4D30 4D32	4	IN EX	ME029296 ME029005	ME029106	
6D10 6D14	6	IN EX	ME031932 ME031986 ME031935	ME031002 ME031004	
6D15	6	IN EX	ME031930 ME031934	ME031853 ME031556	
6D20 8DC 10DC	6 8 10	IN EX	30901-00492 31101-00301	30901-00901 30901-00401 31101-00501	
8DC	8	IN EX	31201-30491 31201-30591	31201-30400 31201-30500	
4DR5 6DR	4	IN EX	ME001133 ME001075	31301-00401 31301-00593	
DB	4	IN EX	30001-23401 30001-23501		
DS7	4	IN EX	30801-10400 30801-10593	30801-18593	
6D16	6	IN EX	ME071216 ME071111		
6D15	6	IN EX	ME031853/929/30 ME031930 ME031933/4/587		
S6KT	6	IN EX	36701-02800 36701-02500		
S4E		IN EX	34401-21400 34401-21500		
S4S		IN EX	32A01-03100 32A01-03200		
4M40	4	IN EX	ME028003 ME028148		

NISSAN

VALVE SEAT



ENGINE MODEL	CYL NO.	IN EX	PARTS NUMBER	INTERCHANGEABLE	
FD6 , ED6 ED33	6	IN EX	31214-Z5000 13215-Z5000		
PE6 PD6	6	IN EX	31214-96003 31215-96000	13214-96000 13214-96001 13214-96004 13215-96004	
RD8 RD10	8 10	IN EX	13214-97000 13215-97000	13214-97003 13214-97020 13215-97020 13215-97006	
ND6	6	IN EX	13214-95004 13215-95004	13214-95000 13215-95000	
UD43	4	EX	13215-90002		
FE6	6	IN EX	13214-Z5500 13215-Z5500		
PE6	6	IN EX	13214-96013 13215-96013		
SD22 SD23	4	IN EX	13214-Y5200 13215-Y5200		
RF8/RF10	8	IN EX	13214-97010 13214-97011 13215-97014 13215-97062 13215-97013		

KOMATSU

VALVE SEAT



ENGINE MODEL	CYL NO.	IN EX	PARTS NUMBER	INTERCHANGEABLE	
6D155	6	IN EX	6127-11-1335 6127-11-1325		
6D125	6	IN EX	6150-11-1331 6150-11-1320		
6D110	6	IN EX	6138-12-1320 6130-12-1320		
6D105	6	IN EX	6136-11-1311 6136-11-1321		
6D95	6	IN EX	6207-11-1430 6207-11-1440		
6D102	6	IN EX	6732-11-1170 6732-11-1180		
NH250	6	IE	6711-11-1120 6710-11-1120		
NH220	6	IE	6610-11-1220		
6D140	6	IN EX	6210-11-1330 6210-11-1321		
6D170	6	IN EX	6162-13-1330 6162-13-1332		
S6D170E-3	6	IN EX	6240-11-1330 6240-11-1321		
6D108	6	IN EX	6221-11-1330 6221-11-1320		
KT	6	IN EX			
LT10	6	IN EX			

TOYOTA

2H		IN EX	11131-68010 11135-68010		
2L/L	4	IN EX	11131-54020 11135-54021		
3L/2L	4	IN EX	11131-54020 11135-54020		
13B	4	1N EX	11131-58035 11135-58030		
1C/2C	4	IN EX	02230028 02230029		
3K/4K/5K		IN EX	11131-24020 11135-24020		
1Z		IN EX	11131-76006-71 11135-76004-71		



JINFORD AUTO PARTS CORP.

No. 41, Lane 221, ChengYi Rd., Shalu Town, Taichung 433 Taiwan

Tel: 886-4-26329887, 26329877 Fax: 886-4-26323059

Email: jinford.valve@gmail.com jinford@ms95.url.com.tw

www.jinford.com.tw